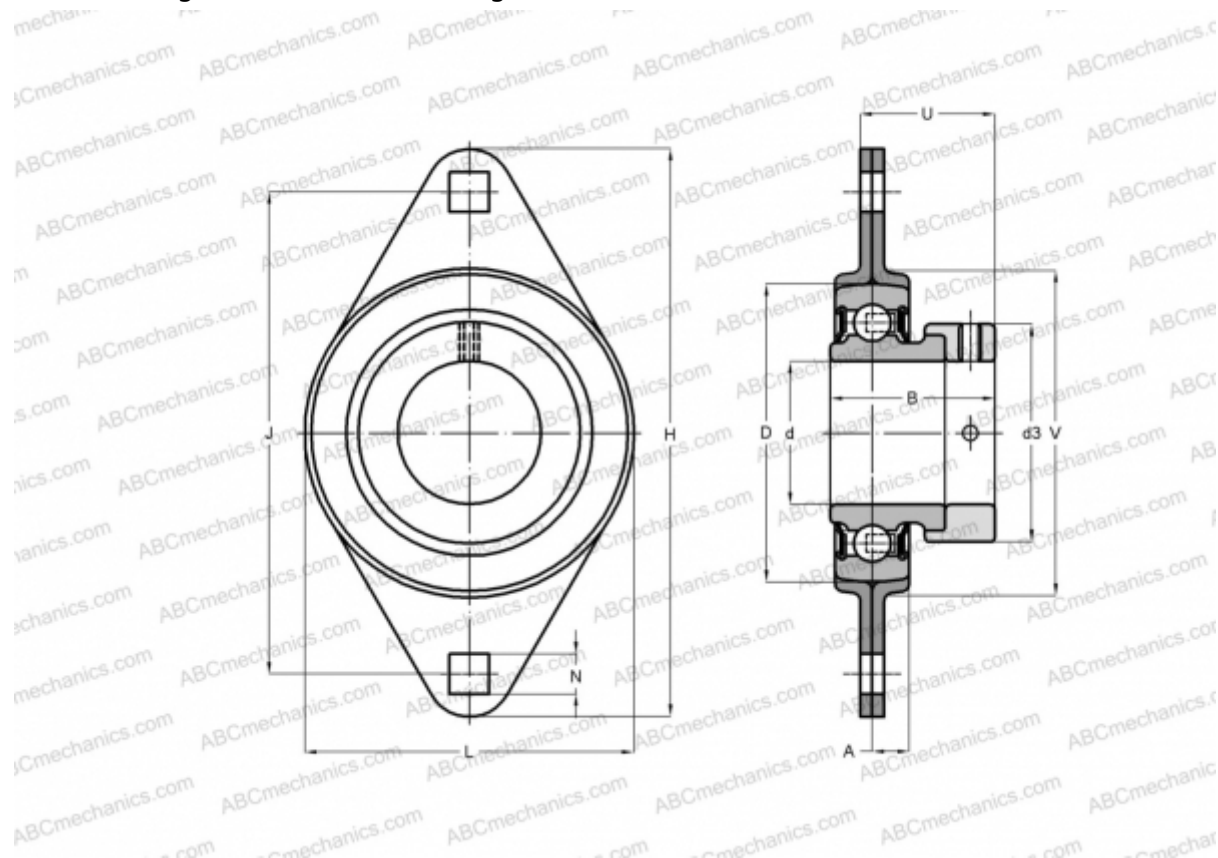


## RAT15 INA

Ball bearing units

TYPE: Housing units, Two-bolt flanged housing units, Sheet steel housing, Radial insert ball bearing with eccentric locking collar, With inner ring extended at one side



### Technical specification

#### DIMENSIONS, MM

d	15,000
D	40,000
B	28,600
L	58,700
H	81,000
A	7,000
J	63,500
N	7,100
d3	28,000
U	24,000
V	48,000

**WEIGHT, KG** 0,190

Bearing RAE15-NPP-B

Housing FLAN40-MST x

**MANUFACTURER** [INA](#)

#### INTERCHANGE

ABC	<a href="#">ESPFL202</a>
SKF	<a href="#">PFT 15 FM</a>
SNR	<a href="#">ESPFL202</a>

#### CALCULATION DATA

Basic dynamic load rating, C	9,800 kN
Basic static load rating, Co	4,750 kN