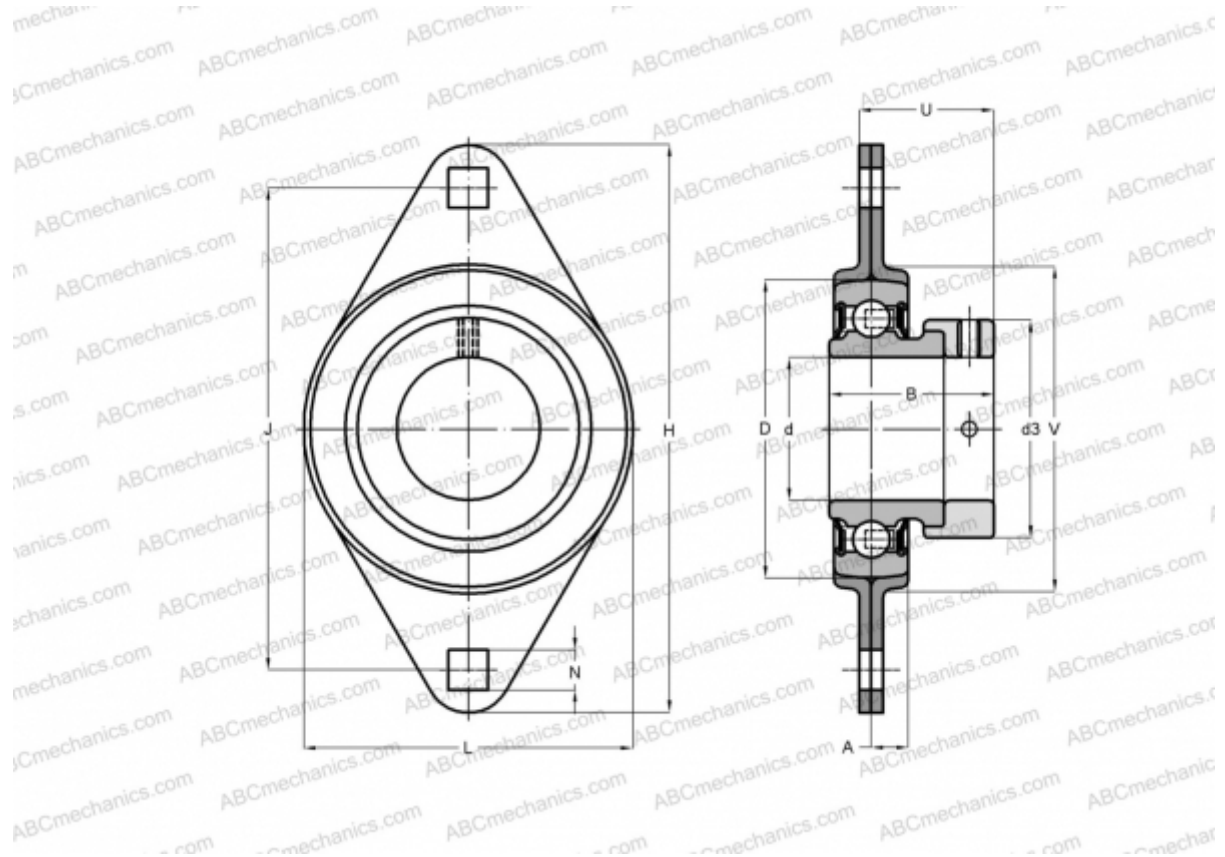


ESPFL203 ABC

Ball bearing units

TYPE: Housing units, Two-bolt flanged housing units, Sheet steel housing, Radial insert ball bearing with eccentric locking collar, With inner ring extended at one side



Technical specification

DIMENSIONS, MM

d	17,000
D	40,000
B	28,600
L	58,700
H	81,000
A	6,700
J	63,500
N	7,100
d3	28,600
V	49,000

WEIGHT, KG

	0,200
Bearing	ES203
Housing	PFL203

MANUFACTURER

[ABC](#)

INTERCHANGE

SKF

[PFT 17 FM](#)

INA

[RAT17](#)

SNR

[ESPFL203](#)