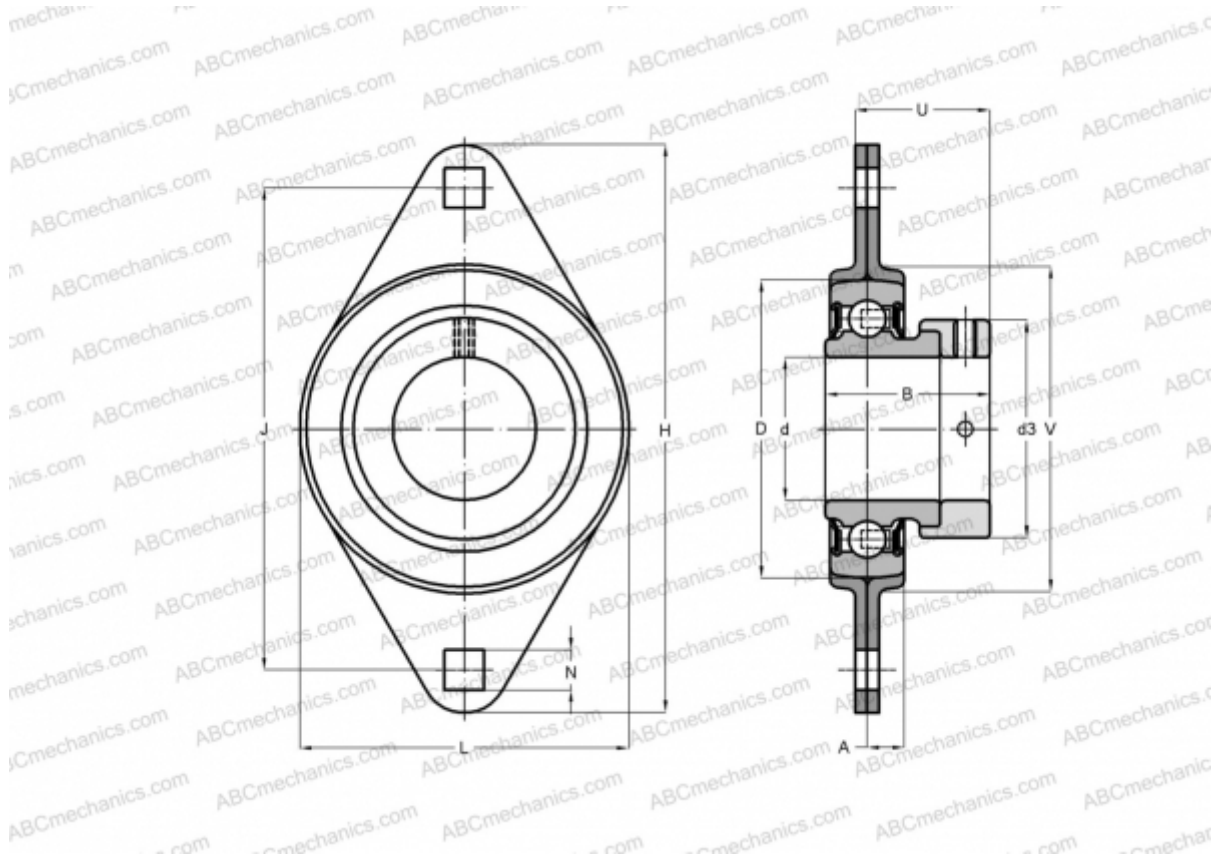


RAT17 INA

Ball bearing units

TYPE: Housing units, Two-bolt flanged housing units, Sheet steel housing, Radial insert ball bearing with eccentric locking collar, With inner ring extended at one side



Technical specification

DIMENSIONS, MM

d	17,000
D	40,000
B	28,600
L	58,700
H	81,000
A	7,000
J	63,500
N	7,100
d3	28,000
U	24,000
V	48,000

WEIGHT, KG 0,190

Bearing RAE17-NPP-B

Housing FLAN40-MST x

MANUFACTURER

2
[INA](#)

INTERCHANGE

ABC	ESPFL203
SKF	PFT 17 FM
SNR	ESPFL203

CALCULATION DATA

Basic dynamic load rating, C	9,800 kN
Basic static load rating, Co	4,750 kN