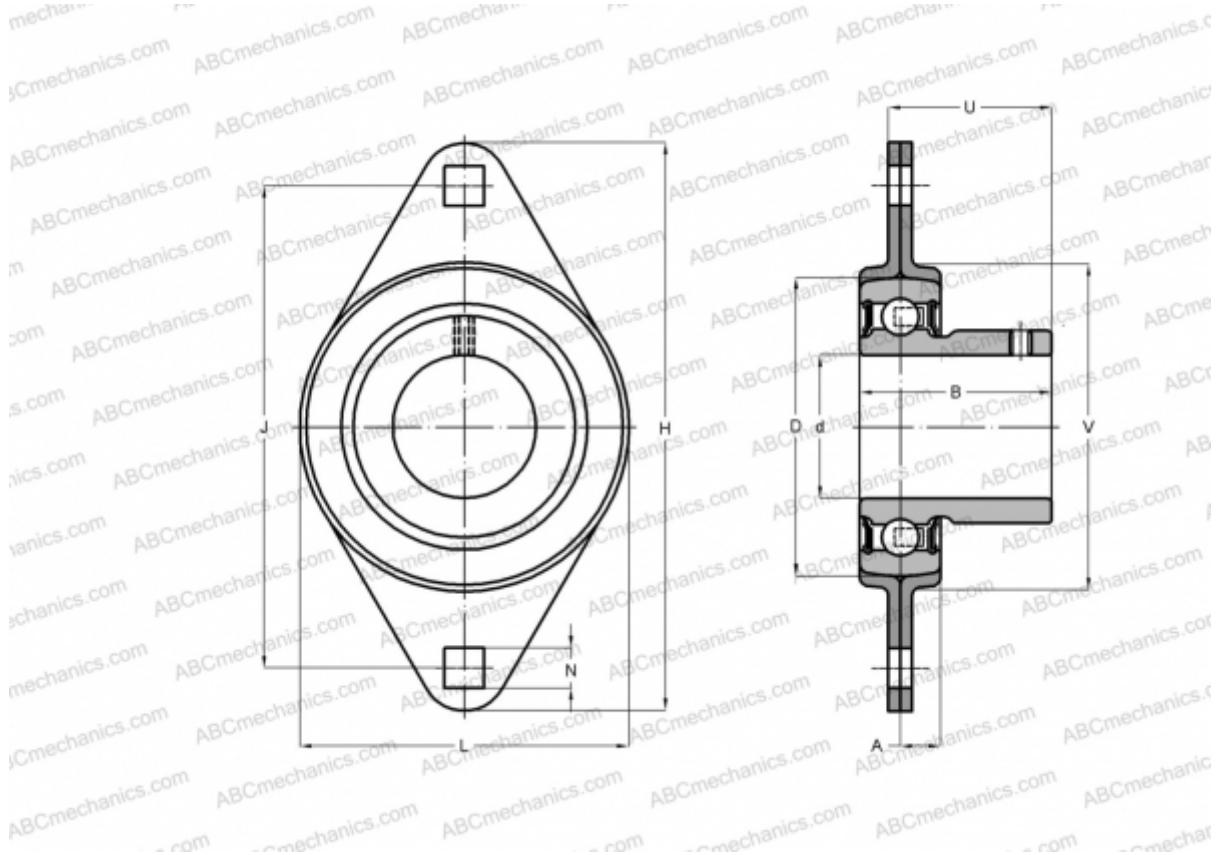


USPFL201 ABC

Ball bearing units

TYPE: Housing units, Two-bolt flanged housing units, Sheet steel housing, Radial insert ball bearing with grub screws in inner ring, With inner ring extended at one side



Technical specification

DIMENSIONS, MM

d	12,000
D	40,000
B	22,000
L	58,700
H	81,000
A	6,700
J	63,500
N	7,100
V	49,000

WEIGHT, KG	
Bearing	US201
Housing	PFL203

MANUFACTURER

[ABC](#)

INTERCHANGE

ASAHI	BPFL 1
INA	RATY12
SNR	USPFL201
SLB	SBPFL 201
FYH	SBPFL 201
NTN	ASPFL 201