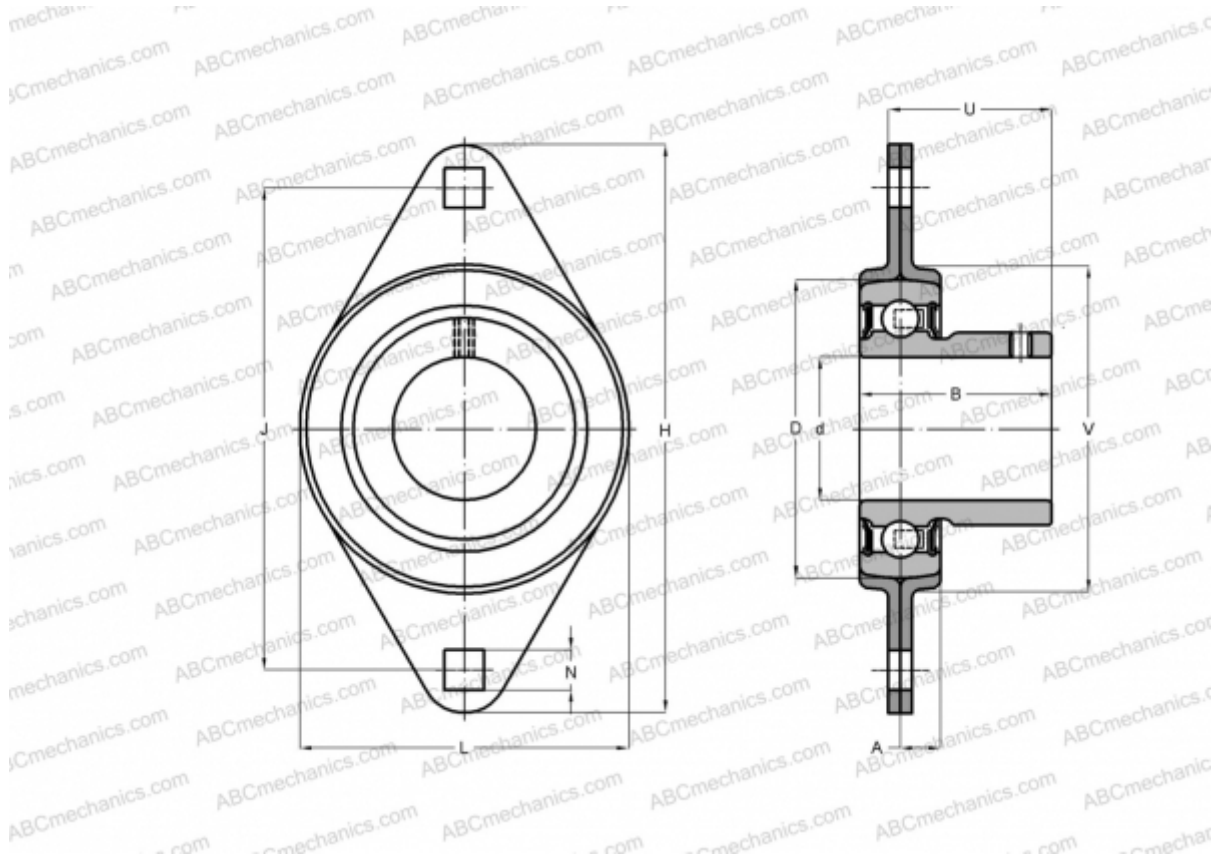


RATY12 INA

Ball bearing units

TYPE: Housing units, Two-bolt flanged housing units, Sheet steel housing, Radial insert ball bearing with grub screws in inner ring, With inner ring extended at one side



Technical specification

DIMENSIONS, MM

d	12,000
D	40,000
B	22,000
L	58,700
H	81,000
A	7,000
J	63,500
N	7,100
U	18,000
V	48,000

WEIGHT, KG 0,200

Bearing	AY12-NPP-B
Housing	FLAN40-MST x

MANUFACTURER

[INA](#)

INTERCHANGE

ABC	USPFL201
ASAHI	BPFL 1
SNR	USPFL201
SLB	SBPFL 201
FYH	SBPFL 201
NTN	ASPFL 201