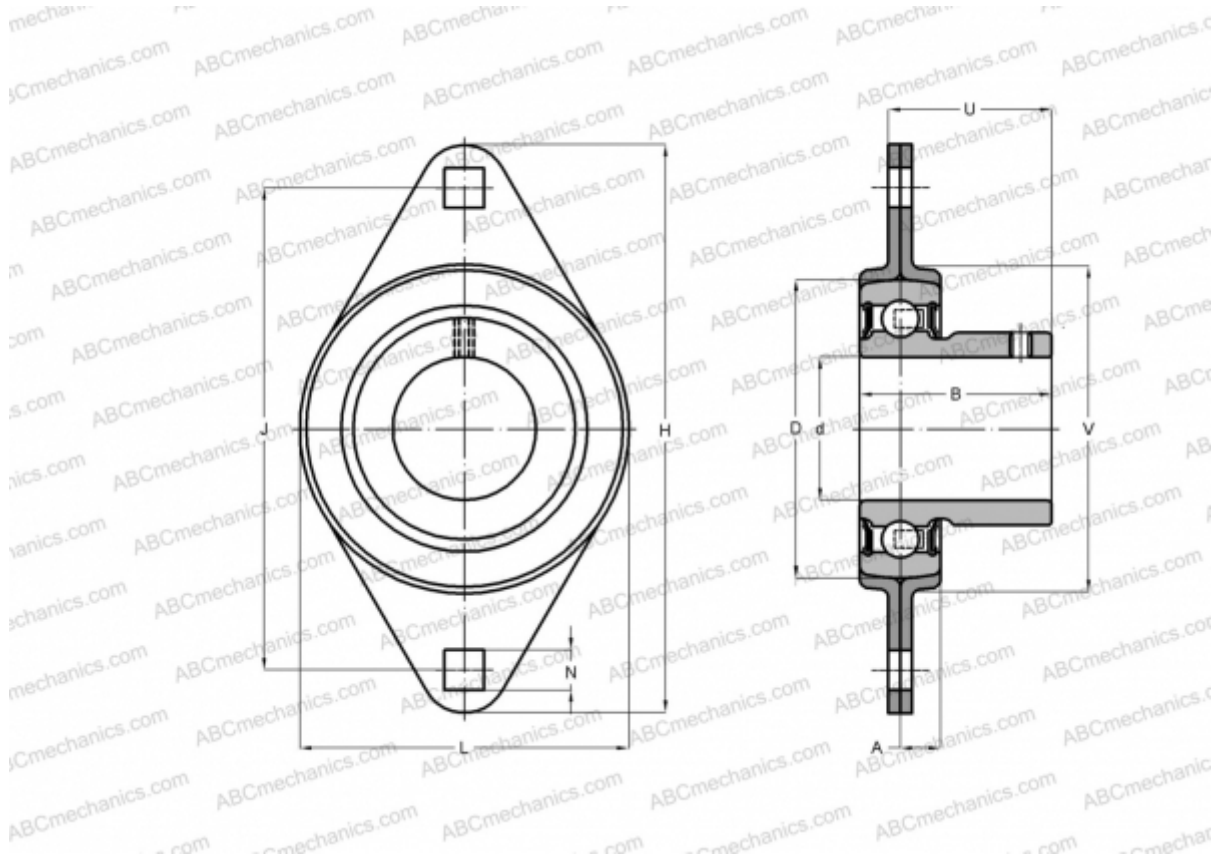


## BPFL 2 ASAHI

Ball bearing units

TYPE: Housing units, Two-bolt flanged housing units, Sheet steel housing, Radial insert ball bearing with grub screws in inner ring, With inner ring extended at one side



### Technical specification

#### DIMENSIONS, MM

d	15,000
D	40,000
B	22,000
L	59,000
H	81,000
A	7,000
J	63,500
N	7,000
V	49,000

**WEIGHT, KG** 0,240

Bearing	B 2
Housing	PFL 3

#### MANUFACTURER

[ASAHI](#)

#### INTERCHANGE

ABC	<a href="#">USPFL202</a>
INA	<a href="#">RATY15</a>
SNR	<a href="#">USPFL202</a>
SLB	<a href="#">SBPFL 202</a>
FYH	<a href="#">SBPFL 202</a>
NTN	<a href="#">ASPFL 202</a>