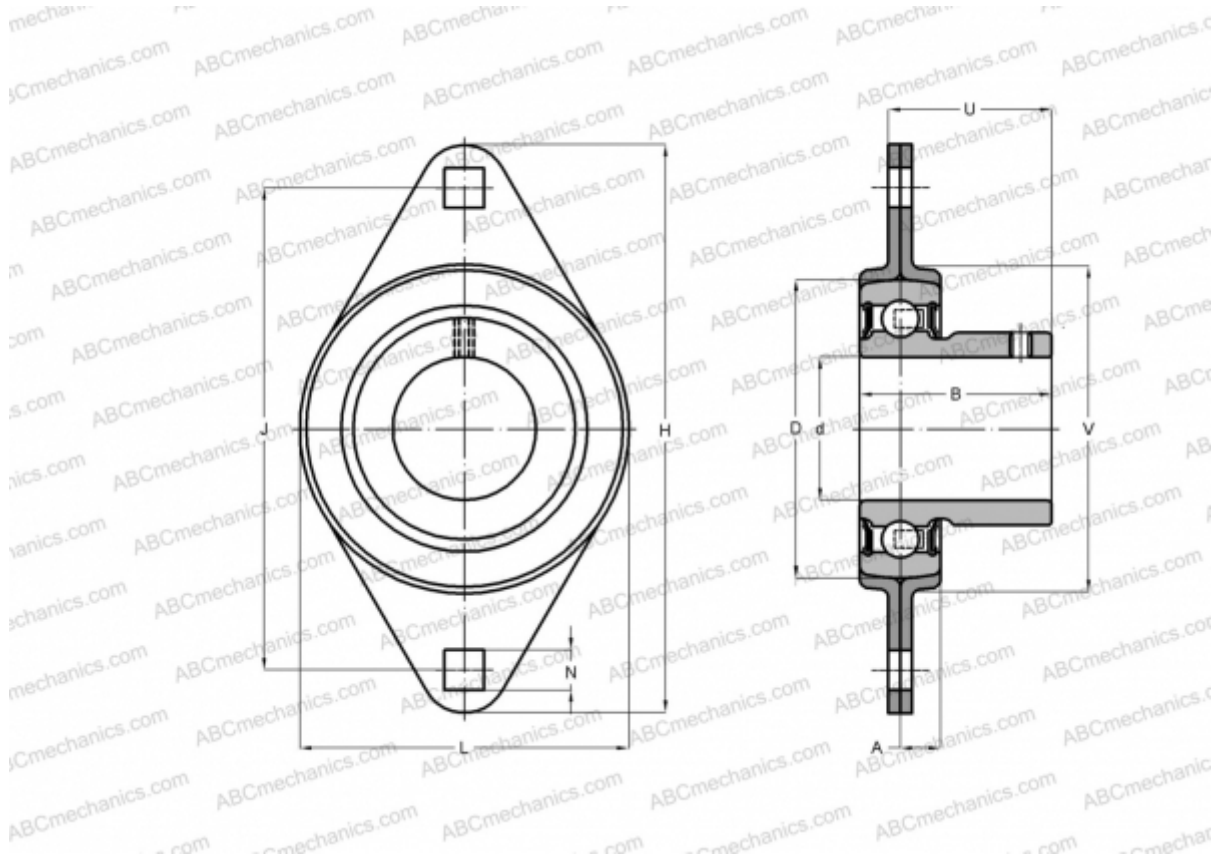


## RATY15 INA

Ball bearing units

TYPE: Housing units, Two-bolt flanged housing units, Sheet steel housing, Radial insert ball bearing with grub screws in inner ring, With inner ring extended at one side



### Technical specification

#### DIMENSIONS, MM

d	15,000
D	40,000
B	22,000
L	58,700
H	81,000
A	7,000
J	63,500
N	7,100
U	18,000
V	48,000

#### WEIGHT, KG

0,200

Bearing	AY15-NPP-B
Housing	FLAN40-MST x

#### MANUFACTURER

[INA](#)

#### INTERCHANGE

ABC	<a href="#">USPFL202</a>
ASAHI	<a href="#">BPFL 2</a>
SNR	<a href="#">USPFL202</a>
SLB	<a href="#">SBPFL 202</a>
FYH	<a href="#">SBPFL 202</a>
NTN	<a href="#">ASPFL 202</a>