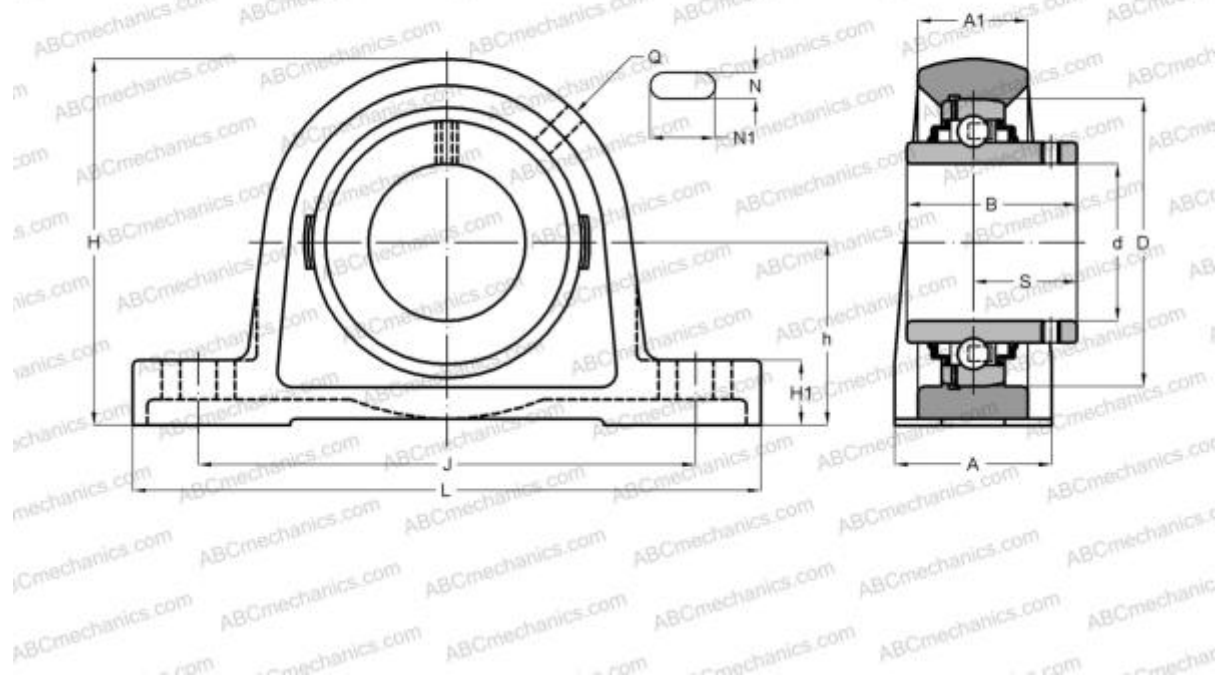


SUCP205 ABC

Ball bearing units

TYPE: Housing units, Plummer block, Cast iron housing, Radial insert ball bearing with grub screws in inner ring, With inner ring extended on both sides, massive bearing units, stainless steel



Technical specification

DIMENSIONS, MM

d	25,000
D	52,000
B	34,100
L	140,000
H	70,000
A	38,000
J	105,000
H1	16,000
N	13,000
N1	19,000
S	19,800
h	36,500

WEIGHT, KG

0,950

Bearing	SUC205
Housing	SP205

MANUFACTURER

[ABC](#)

INTERCHANGE

SNR	SUCP205
-----	-------------------------