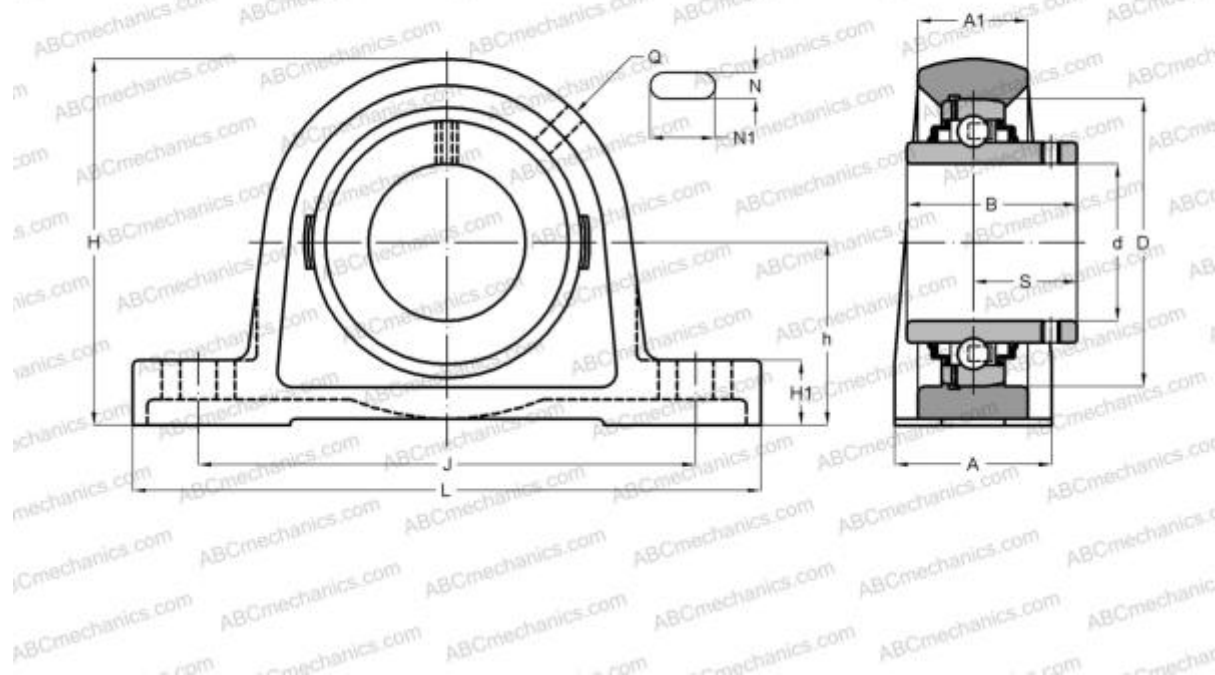


## SUCP205 SNR

Ball bearing units

TYPE: Housing units, Plummer block, Cast iron housing, Radial insert ball bearing with grub screws in inner ring, With inner ring extended on both sides, massive bearing units, stainless steel



### Technical specification

#### DIMENSIONS, MM

d	25,000
D	52,000
B	34,100
L	140,000
H	70,000
A	38,000
J	105,000
H1	16,000
N	13,000
N1	19,000
S	19,800
h	36,500

**WEIGHT, KG** 0,950

Bearing	SUC205
Housing	SP205

#### MANUFACTURER

[SNR](#)

#### INTERCHANGE

ABC [SUCP205](#)

#### CALCULATION DATA

Operating temperature min	-20 °C
Operating temperature max	120 °C