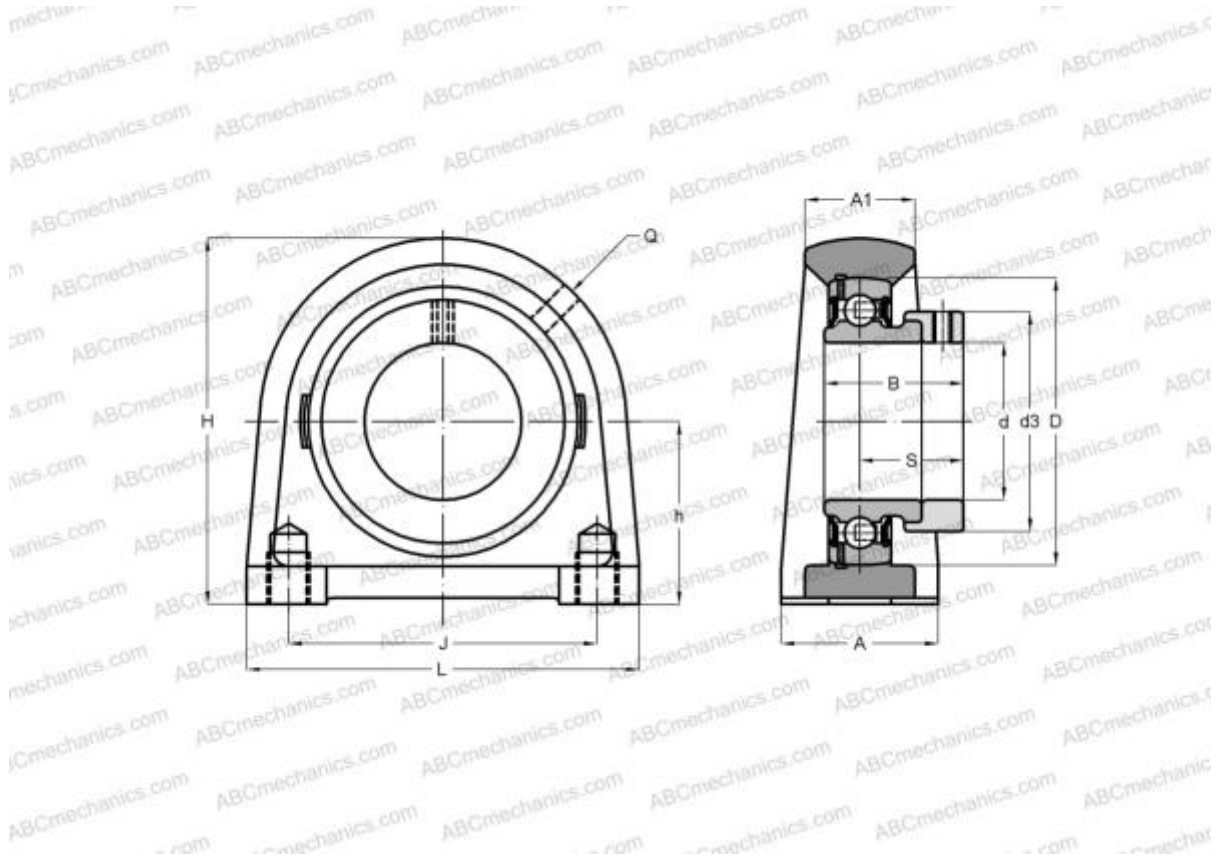


## SESPA201 ABC

Ball bearing units

TYPE: Housing units, Plummer block, Narrow cast iron housing, Radial insert ball bearing with eccentric locking collar, With inner ring extended at one side, wide base, massive bearing units, stainless steel



### Technical specification

#### DIMENSIONS, MM

d	12,000
D	40,000
B	28,600
L	73,000
H	62,000
A	38,000
J	50,800
H1	11,000
S	22,600
d3	28,600
h	30,200
m	M8

**WEIGHT, KG** 0,650

Bearing	SES201
Housing	SPA204

#### MANUFACTURER

[ABC](#)

#### INTERCHANGE

SNR	<a href="#">SESPA201</a>
-----	--------------------------