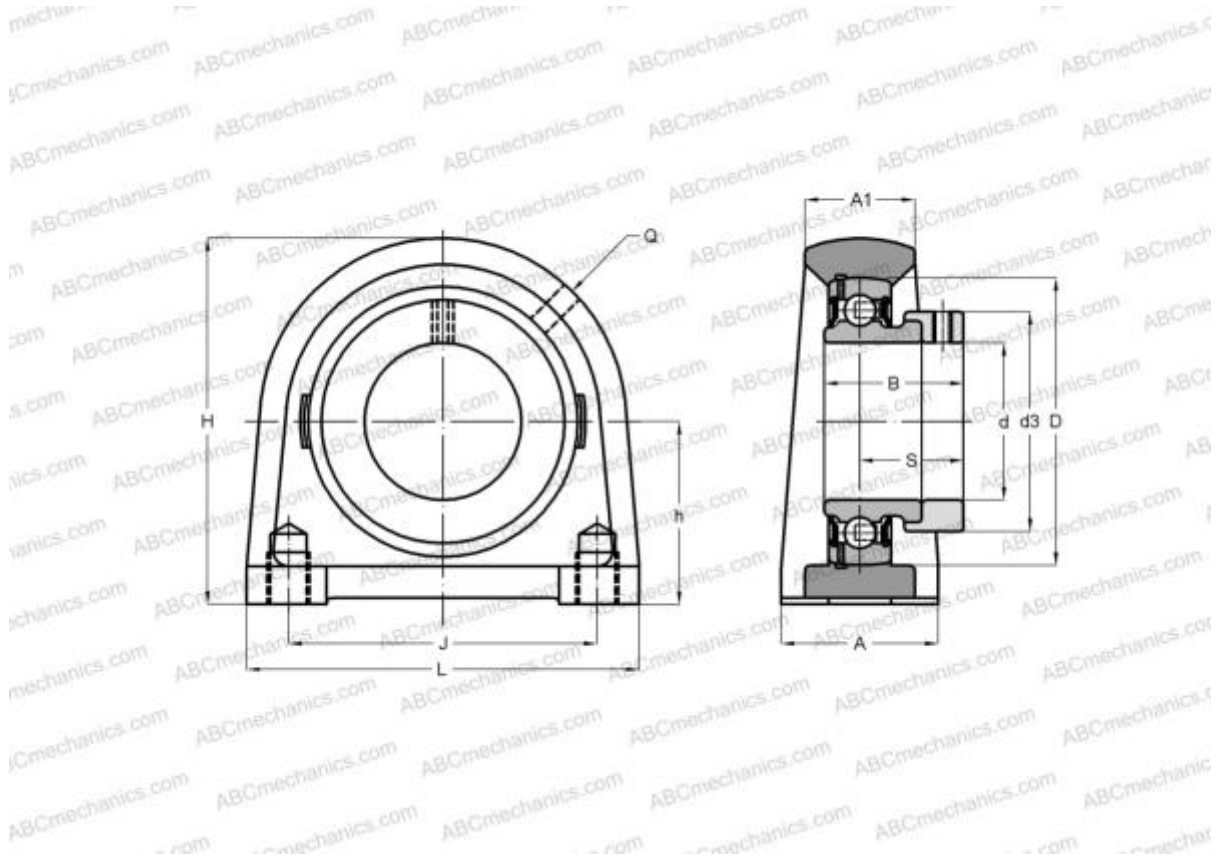


SESPA204-12 ABC

Ball bearing units

TYPE: Housing units, Plummer block, Narrow cast iron housing, Radial insert ball bearing with eccentric locking collar, With inner ring extended at one side, wide base, massive bearing units, stainless steel, inch size



Technical specification

DIMENSIONS, MM

d	19,050
D	47,000
B	31,000
L	73,000
H	65,000
A	38,000
J	50,800
H1	11,000
S	24,000
d3	33,300
h	33,300
m	M8

WEIGHT, KG 0,690

Bearing	SES204-12
Housing	SPA204

MANUFACTURER

[ABC](#)

INTERCHANGE

SNR	SESPA204-12
-----	-----------------------------