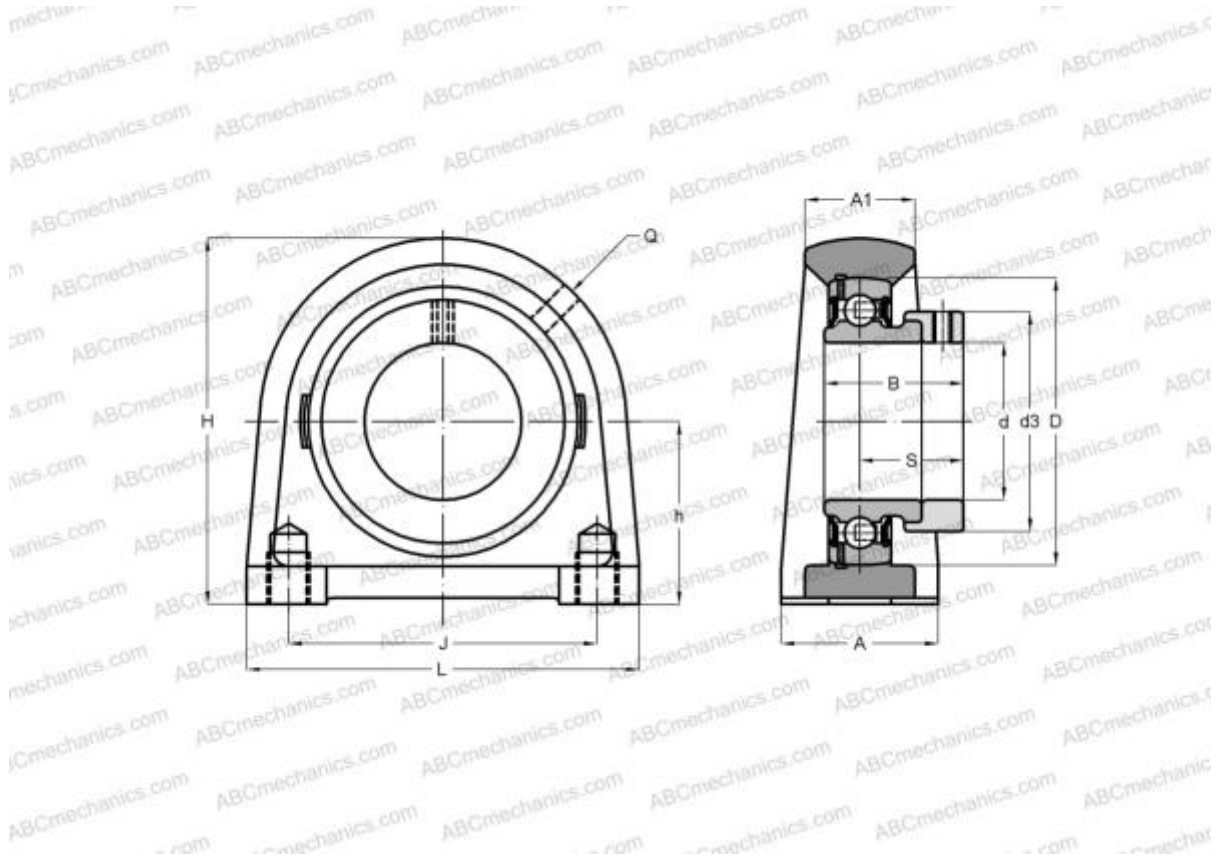


SESPA206-19 SNR

Ball bearing units

TYPE: Housing units, Plummer block, Narrow cast iron housing, Radial insert ball bearing with eccentric locking collar, With inner ring extended at one side, wide base, massive bearing units, stainless steel, inch size



Technical specification

DIMENSIONS, MM

d	30,163
D	62,000
B	35,700
L	102,000
H	86,000
A	38,000
J	76,200
H1	12,000
S	27,700
d3	44,500
h	42,900
m	M10

WEIGHT, KG 1,300

Bearing	SES206-19
Housing	SPA206

MANUFACTURER [SNR](#)

INTERCHANGE

ABC [SESPA206-19](#)

CALCULATION DATA

Operating temperature min	-20 °C
Operating temperature max	120 °C