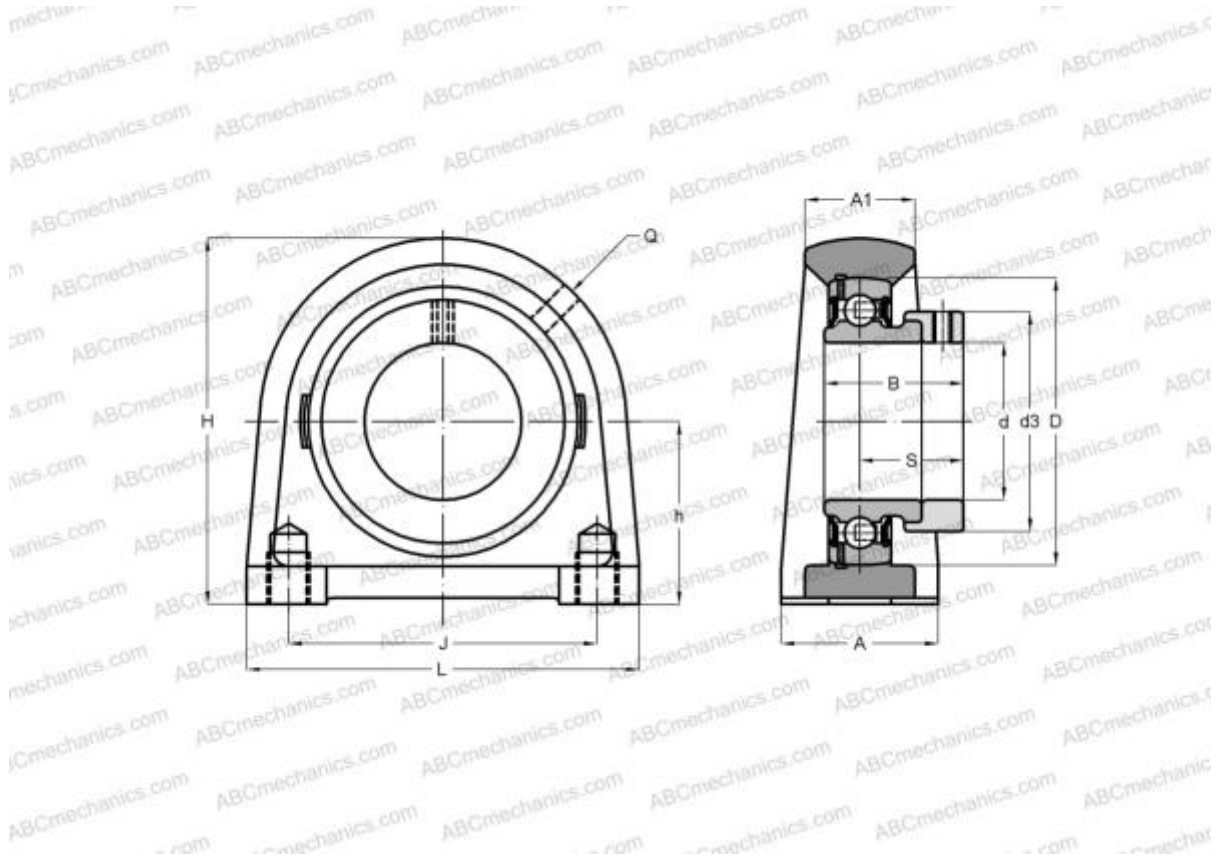


SESPA207-22 ABC

Ball bearing units

TYPE: Housing units, Plummer block, Narrow cast iron housing, Radial insert ball bearing with eccentric locking collar, With inner ring extended at one side, wide base, massive bearing units, stainless steel, inch size



Technical specification

DIMENSIONS, MM

d	34,925
D	72,000
B	38,900
L	108,000
H	95,000
A	48,000
J	82,600
H1	12,000
S	30,400
d3	55,600
h	47,600
m	M10

WEIGHT, KG 1,750

Bearing	SES207-22
Housing	SPA207

MANUFACTURER [ABC](#)

INTERCHANGE

SNR [SESPA207-22](#)