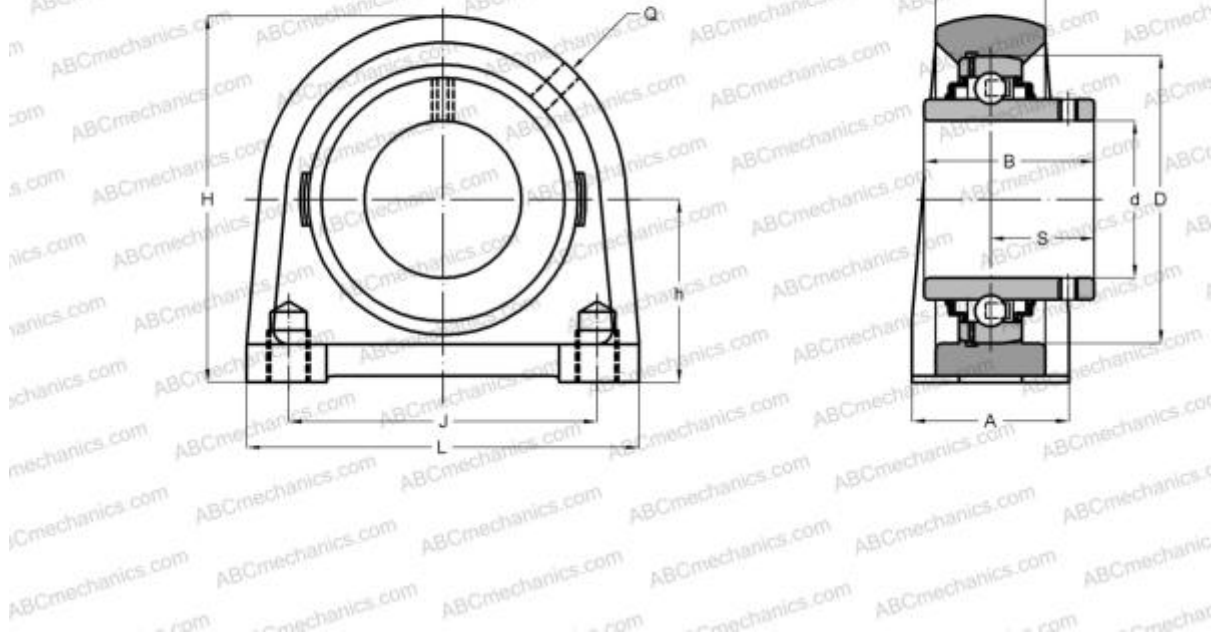


## SUCPA205 SNR

Ball bearing units

TYPE: Housing units, Plummer block, Narrow cast iron housing, Radial insert ball bearing with grub screws in inner ring, With inner ring extended on both sides, massive bearing units, stainless steel



### Technical specification

#### DIMENSIONS, MM

d	25,000
D	52,000
B	34,100
L	76,000
H	71,000
A	38,000
J	50,800
H1	11,000
S	19,800
h	36,500

#### WEIGHT, KG

0,780

Bearing	SUC205
Housing	SPA205

#### MANUFACTURER

[SNR](#)

#### INTERCHANGE

ABC

[SUCPA205](#)

#### CALCULATION DATA

Operating temperature min	-20 °C
Operating temperature max	120 °C