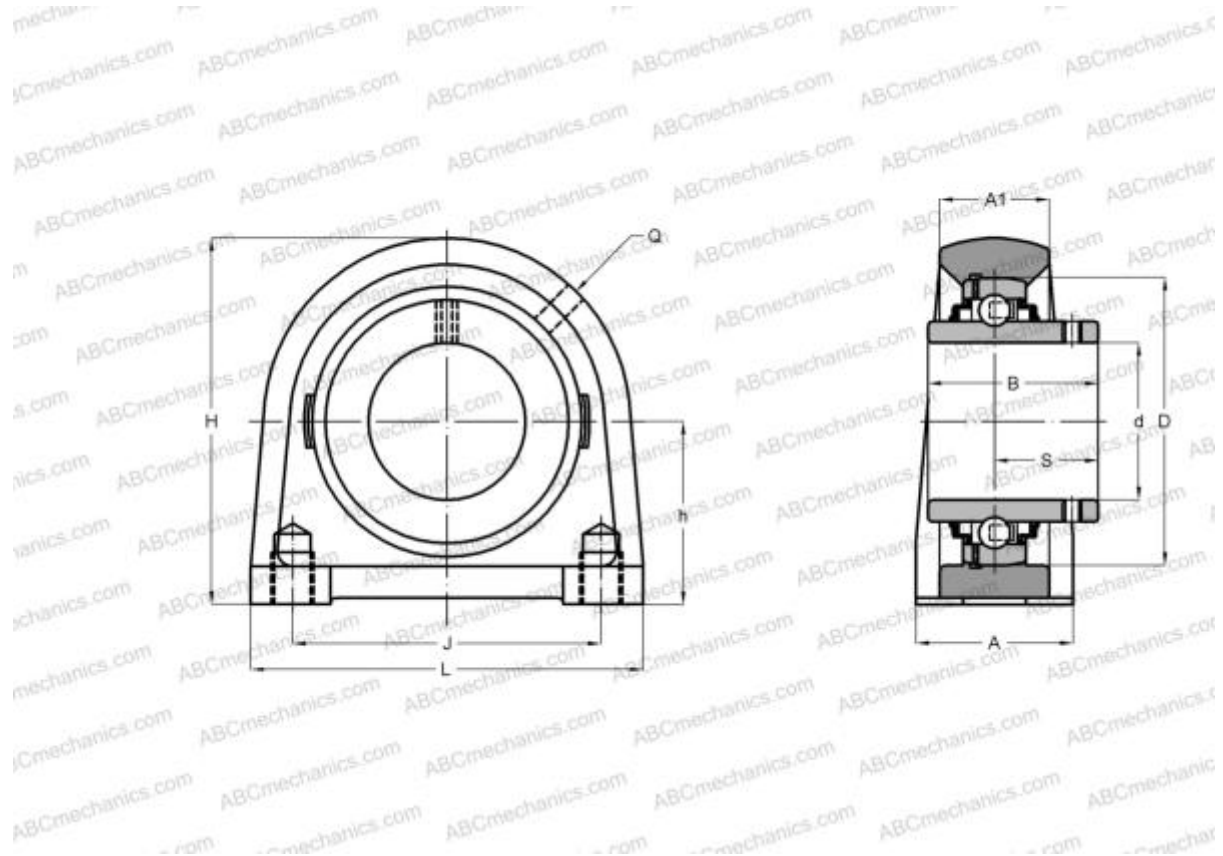


## SUCPA205-16 SNR

Ball bearing units

TYPE: Housing units, Plummer block, Narrow cast iron housing, Radial insert ball bearing with grub screws in inner ring, With inner ring extended on both sides, massive bearing units, stainless steel, inch size



### Technical specification

#### DIMENSIONS, MM

d	25,400
D	52,000
B	34,100
L	76,000
H	71,000
A	38,000
J	50,800
H1	11,000
S	19,800
h	36,500

**WEIGHT, KG** 0,780

Bearing	SUC205-16
Housing	SPA205

#### MANUFACTURER

[SNR](#)

#### INTERCHANGE

ABC

[SUCPA205-16](#)

#### CALCULATION DATA

Operating temperature min	-20 °C
Operating temperature max	120 °C