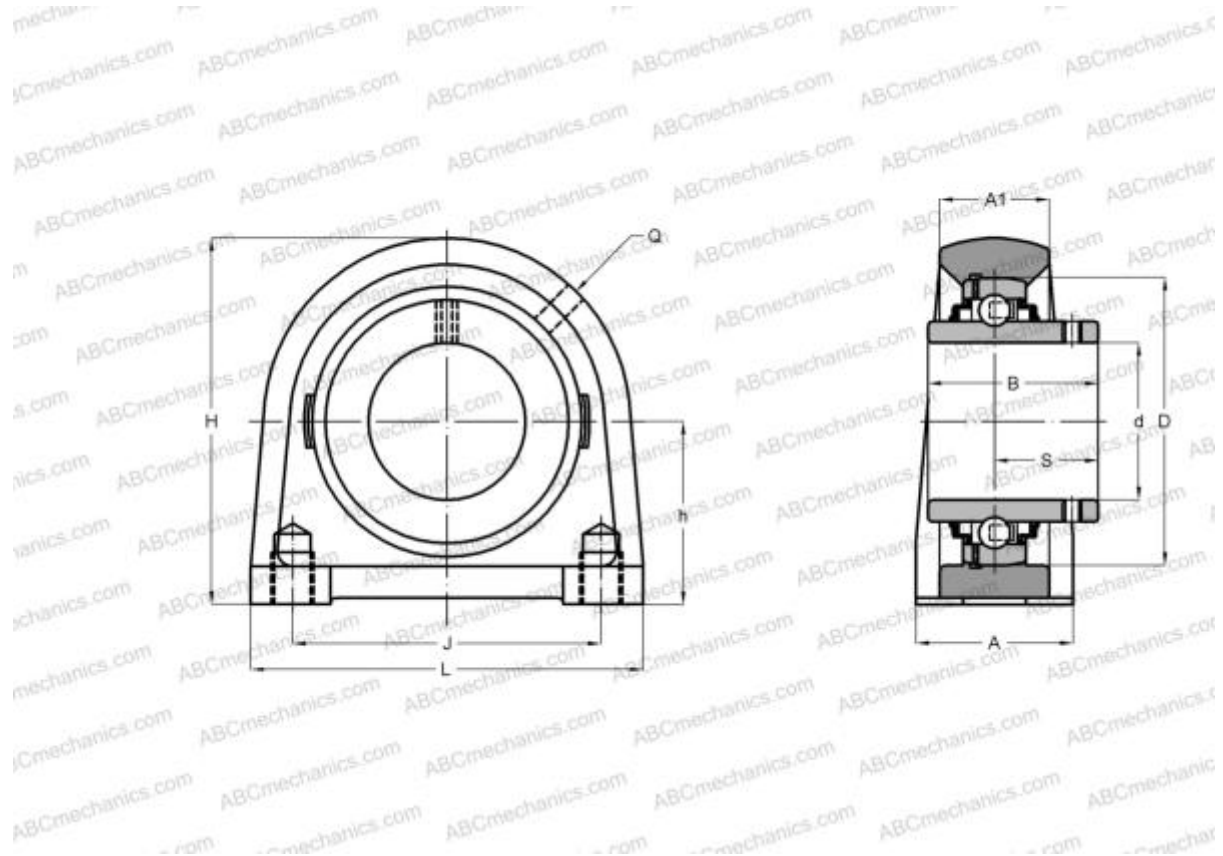


SUCPA206-19 ABC

Ball bearing units

TYPE: Housing units, Plummer block, Narrow cast iron housing, Radial insert ball bearing with grub screws in inner ring, With inner ring extended on both sides, massive bearing units, stainless steel, inch size



Technical specification

DIMENSIONS, MM

d	30,163
D	62,000
B	38,100
L	102,000
H	86,000
A	38,000
J	76,200
H1	12,000
S	22,200
h	42,900

WEIGHT, KG 1,300

Bearing	SUC206-19
Housing	SPA206

MANUFACTURER

[ABC](#)

INTERCHANGE

SNR

[SUCPA206-19](#)