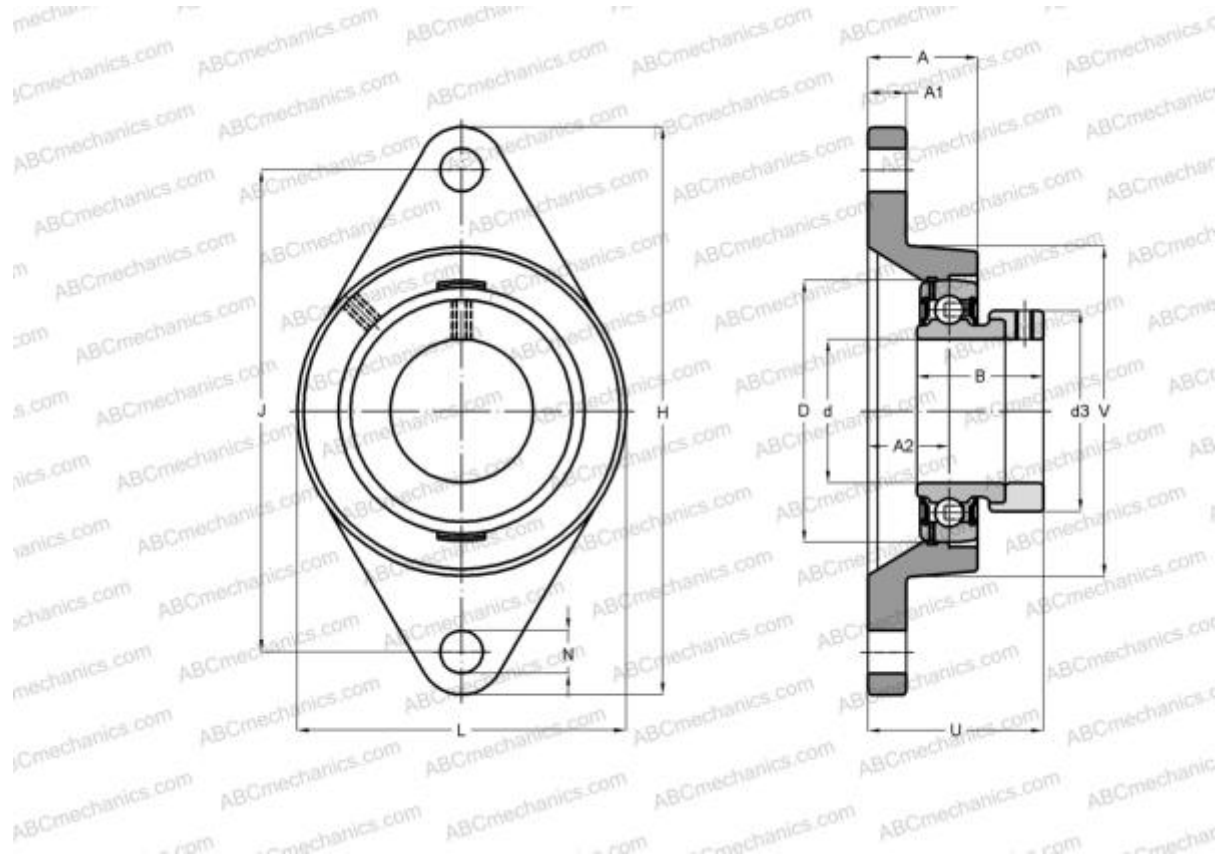


## SESFL202 ABC

Ball bearing units

TYPE: Housing units, Two-bolt flanged housing units, Cast iron housing, Radial insert ball bearing with eccentric locking collar, With inner ring extended at one side, wide base, massive bearing units, stainless steel



### Technical specification

#### DIMENSIONS, MM

d	15,000
D	40,000
B	28,600
L	60,000
H	112,000
A	25,500
J	90,000
A1	12,000
A2	15,000
N	12,000
d3	28,600
U	37,600

**WEIGHT, KG** 0,440

Bearing	SES202
Housing	SFL204

#### MANUFACTURER

[ABC](#)

#### INTERCHANGE

SNR	<a href="#">SESFL202</a>
-----	--------------------------