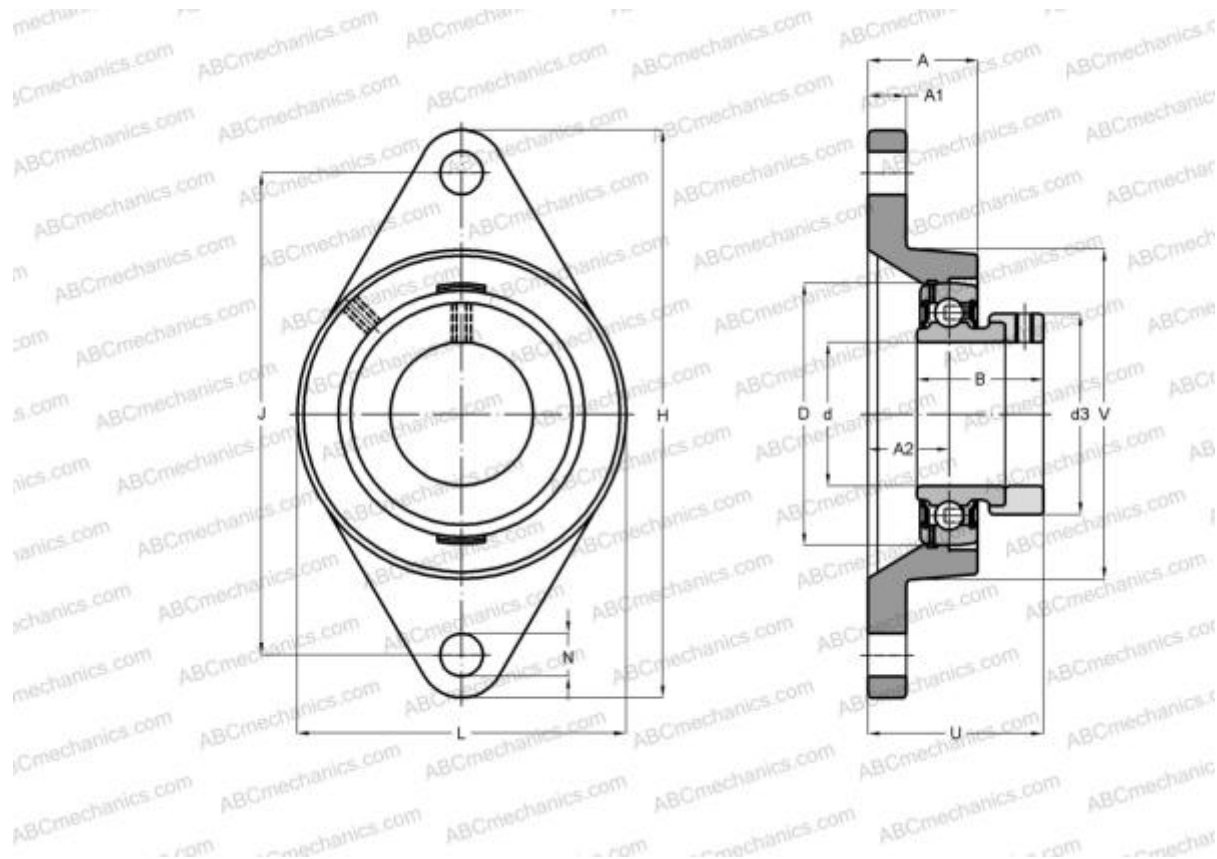


SESFL202 SNR

Ball bearing units

TYPE: Housing units, Two-bolt flanged housing units, Cast iron housing, Radial insert ball bearing with eccentric locking collar, With inner ring extended at one side, wide base, massive bearing units, stainless steel



Technical specification

DIMENSIONS, MM

d	15,000
D	40,000
B	28,600
L	60,000
H	112,000
A	25,500
J	90,000
A1	12,000
A2	15,000
N	12,000
d3	28,600
U	37,600

WEIGHT, KG 0,440

Bearing	SES202
Housing	SFL204

MANUFACTURER [SNR](#)

INTERCHANGE

ABC [SESFL202](#)

CALCULATION DATA

Operating temperature min	-20 °C
Operating temperature max	120 °C