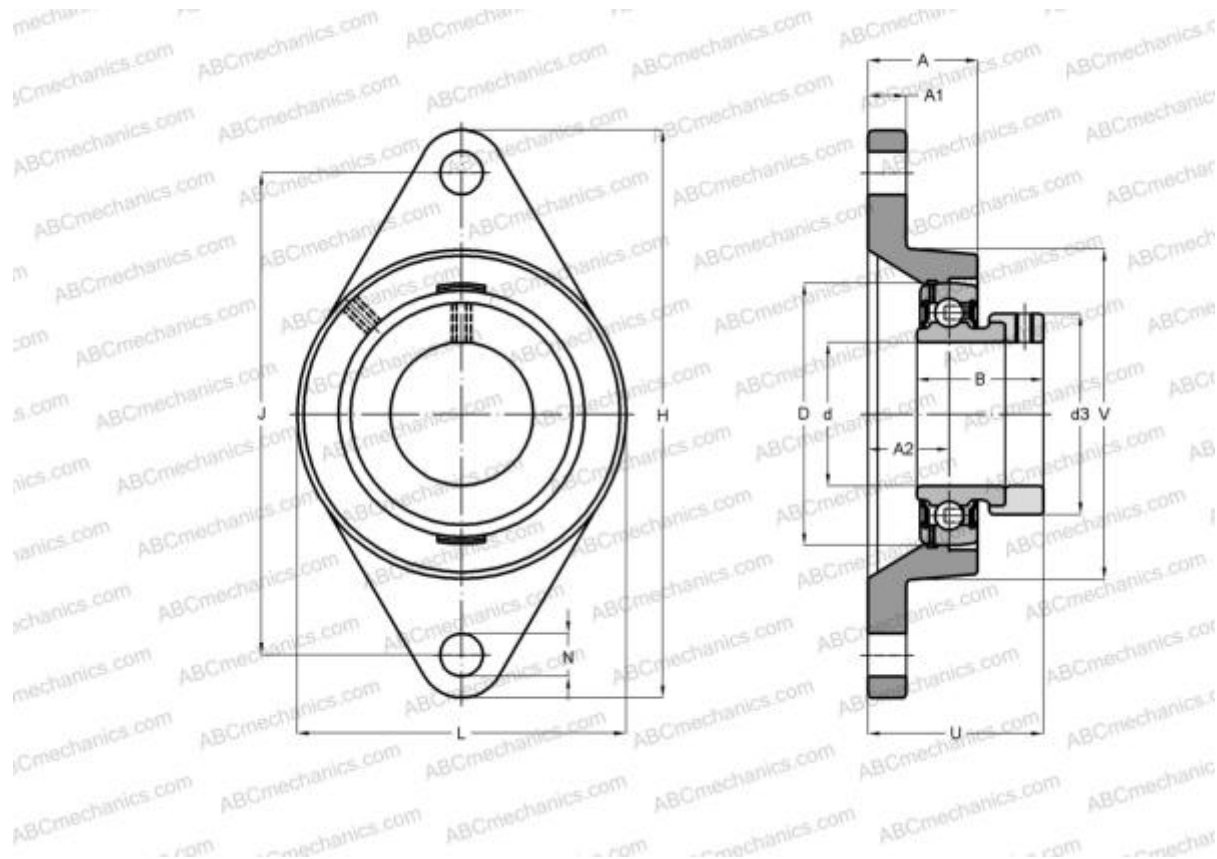


## SESFL205 SNR

Ball bearing units

TYPE: Housing units, Two-bolt flanged housing units, Cast iron housing, Radial insert ball bearing with eccentric locking collar, With inner ring extended at one side, wide base, massive bearing units, stainless steel



### Technical specification

#### DIMENSIONS, MM

d	25,000
D	52,000
B	31,000
L	68,000
H	125,000
A	27,000
J	99,000
A1	13,000
A2	16,000
N	16,000
d3	38,100
U	39,500

**WEIGHT, KG** 0,600

Bearing	SES205
Housing	SFL205

**MANUFACTURER** [SNR](#)

#### INTERCHANGE

ABC [SESFL205](#)

#### CALCULATION DATA

Operating temperature min	-20 °C
Operating temperature max	120 °C