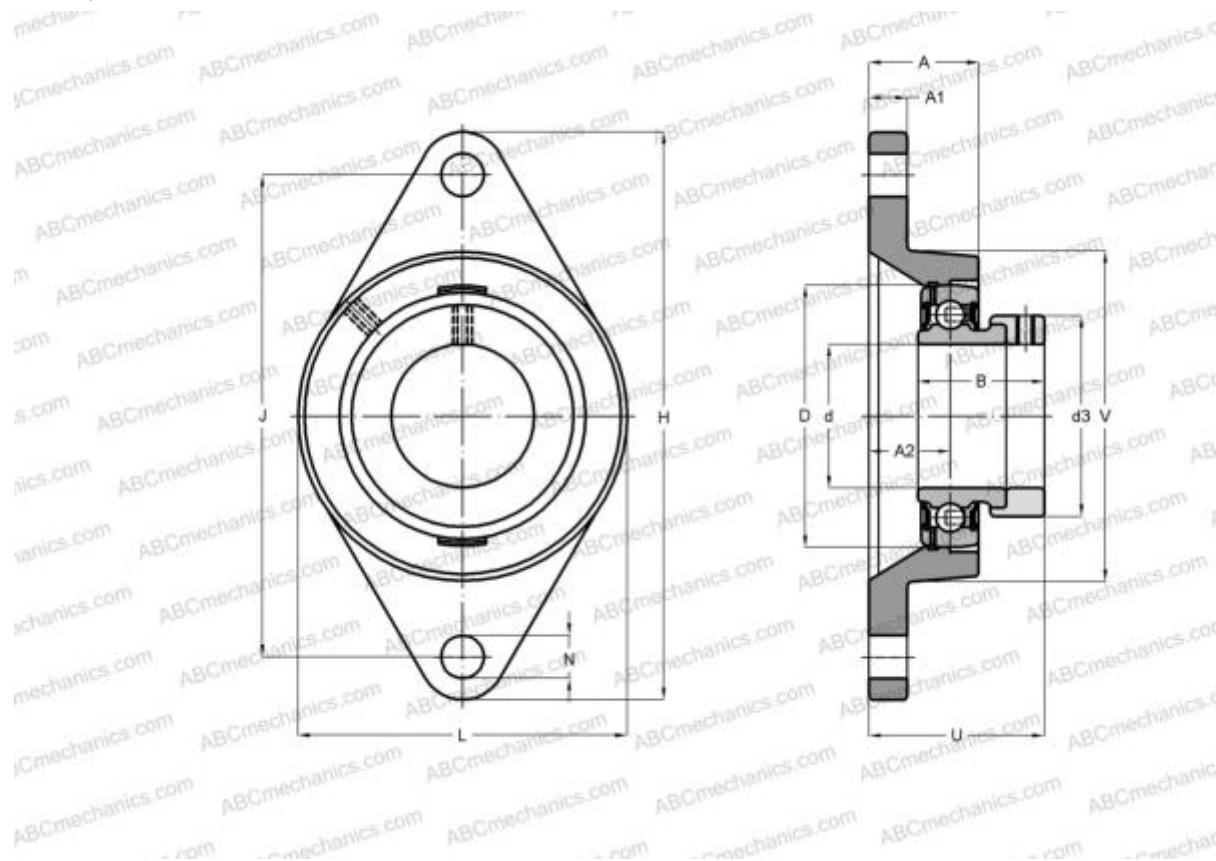


## SESFL208-24 SNR

Ball bearing units

TYPE: Housing units, Two-bolt flanged housing units, Cast iron housing, Radial insert ball bearing with eccentric locking collar, With inner ring extended at one side, wide base, massive bearing units, stainless steel, inch size



### Technical specification

#### DIMENSIONS, MM

d	38,100
D	80,000
B	43,700
L	100,000
H	172,000
A	36,000
J	144,000
A1	15,000
A2	21,000
N	16,000
d3	60,300
U	55,700

**WEIGHT, KG** 1,540

Bearing	SES208-24
Housing	SFL208

#### MANUFACTURER

[SNR](#)

#### CALCULATION DATA

Operating temperature min	-20 °C
Operating temperature max	120 °C