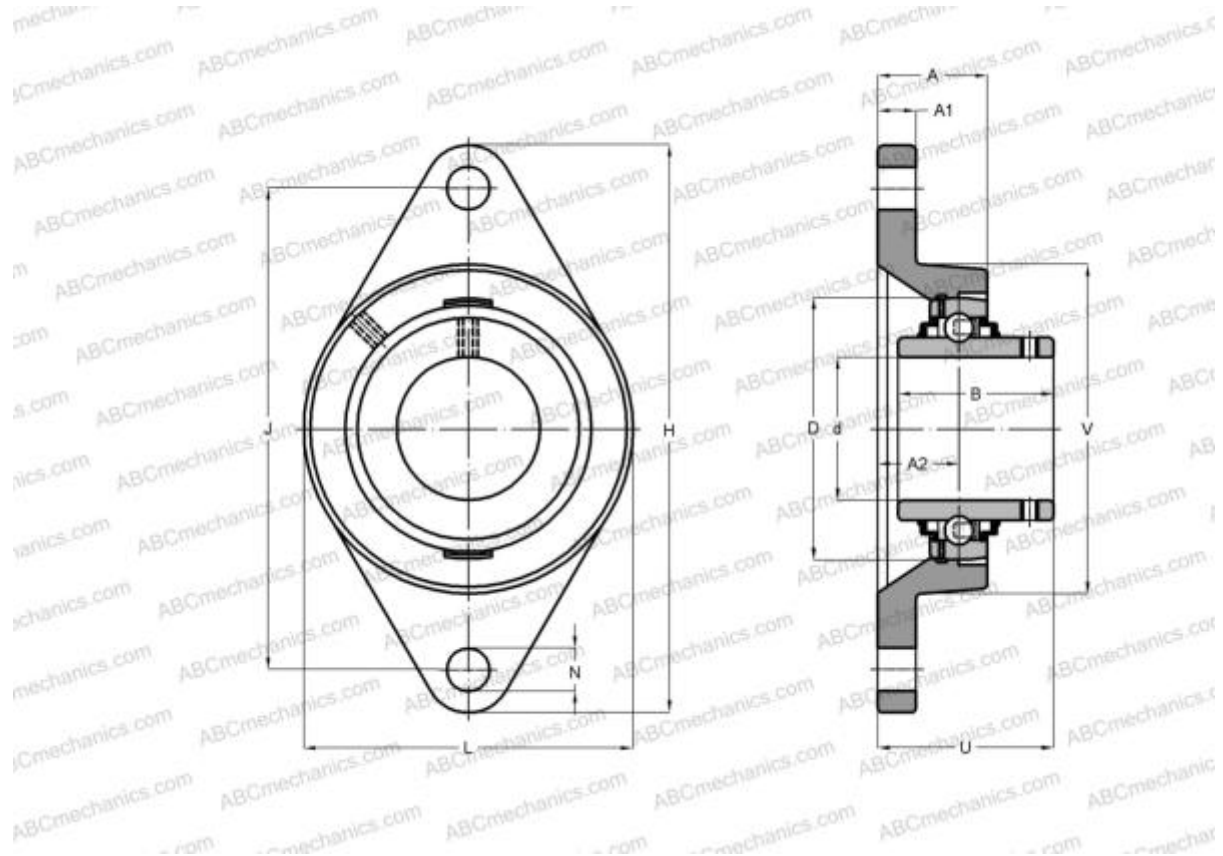


## SUCFL203 ABC

Ball bearing units

TYPE: Housing units, Two-bolt flanged housing units, Cast iron housing, Radial insert ball bearing with grub screws in inner ring, With inner ring extended on both sides, massive bearing units, stainless steel



### Technical specification

#### DIMENSIONS, MM

d	17,000
D	47,000
B	31,000
L	60,000
H	112,000
A	25,500
J	90,000
A1	12,000
A2	15,000
N	12,000
U	33,300

**WEIGHT, KG** 0,490

Bearing SUC203

Housing SFL204

**MANUFACTURER** [ABC](#)

#### INTERCHANGE

SNR [SUCFL203](#)