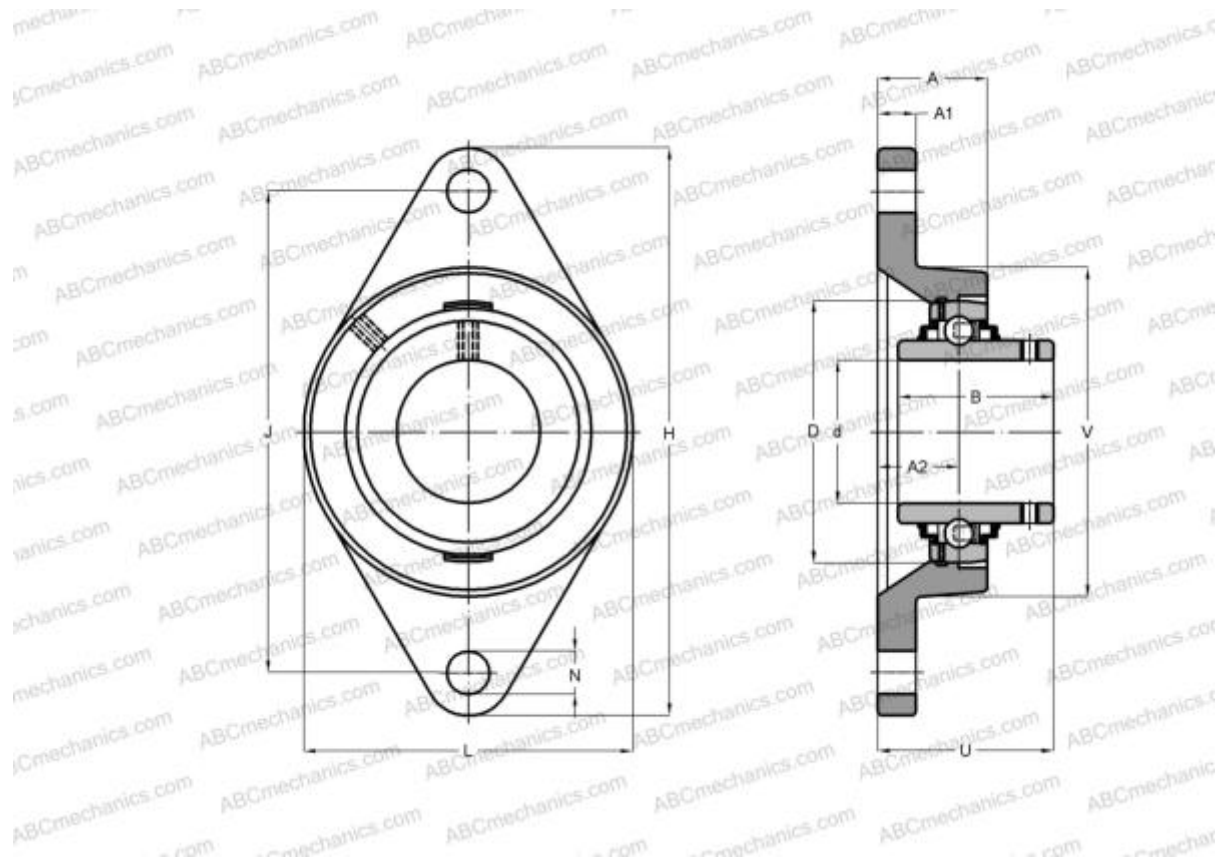


SUCFL204 ABC

Ball bearing units

TYPE: Housing units, Two-bolt flanged housing units, Cast iron housing, Radial insert ball bearing with grub screws in inner ring, With inner ring extended on both sides, massive bearing units, stainless steel



Technical specification

DIMENSIONS, MM

d	20,000
D	47,000
B	31,000
L	60,000
H	112,000
A	25,500
J	90,000
A1	12,000
A2	15,000
N	12,000
U	33,300

WEIGHT, KG

0,470

Bearing

SUC204

Housing

SFL204

MANUFACTURER

[ABC](#)

INTERCHANGE

SNR

[SUCFL204](#)