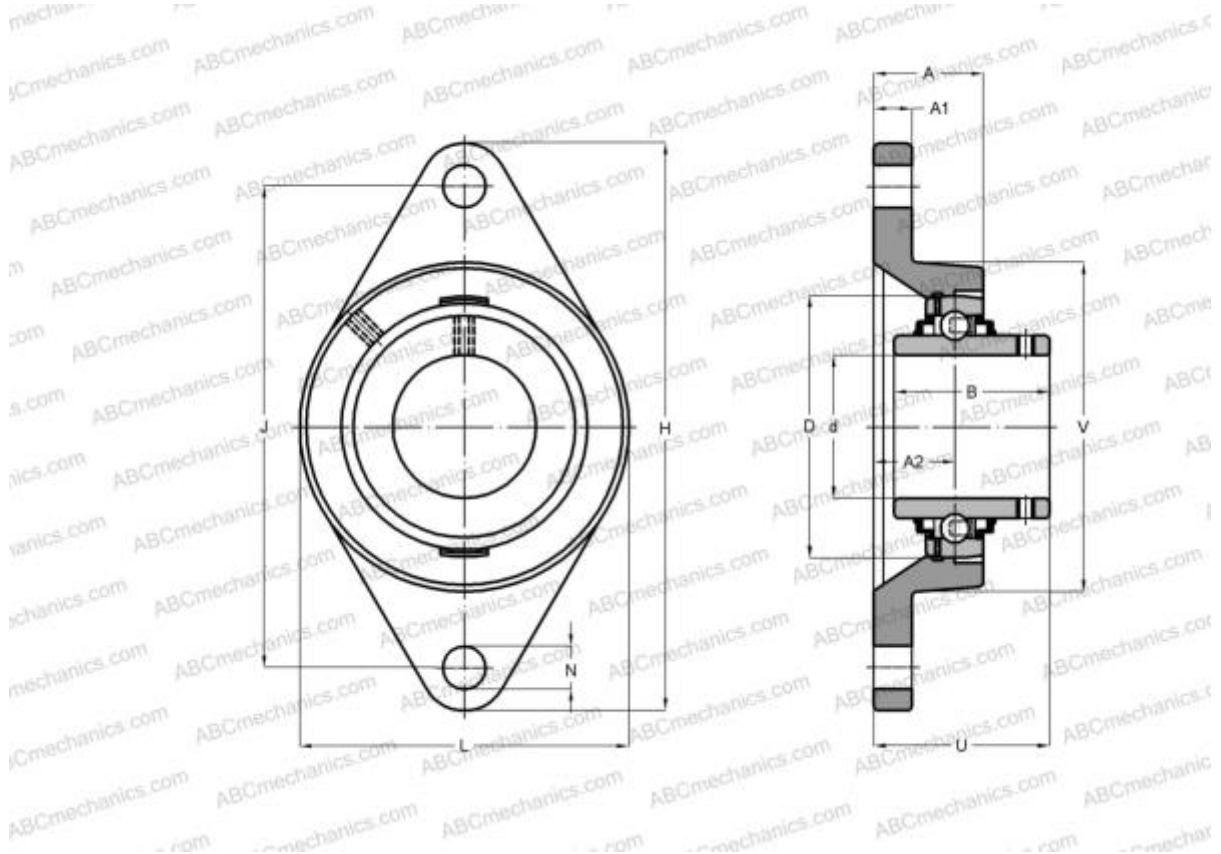


SUCFL205-16 ABC

Ball bearing units

TYPE: Housing units, Two-bolt flanged housing units, Cast iron housing, Radial insert ball bearing with grub screws in inner ring, With inner ring extended on both sides, massive bearing units, stainless steel, inch size



Technical specification

DIMENSIONS, MM

| | |
|----|---------|
| d | 25,400 |
| D | 52,000 |
| B | 34,100 |
| L | 68,000 |
| H | 125,000 |
| A | 27,000 |
| J | 99,000 |
| A1 | 13,000 |
| A2 | 16,000 |
| N | 16,000 |
| U | 35,800 |

WEIGHT, KG 0,600

Bearing SUC205-16

Housing

SFL205

MANUFACTURER

[ABC](#)

INTERCHANGE

SNR

[SUCFL205-16](#)