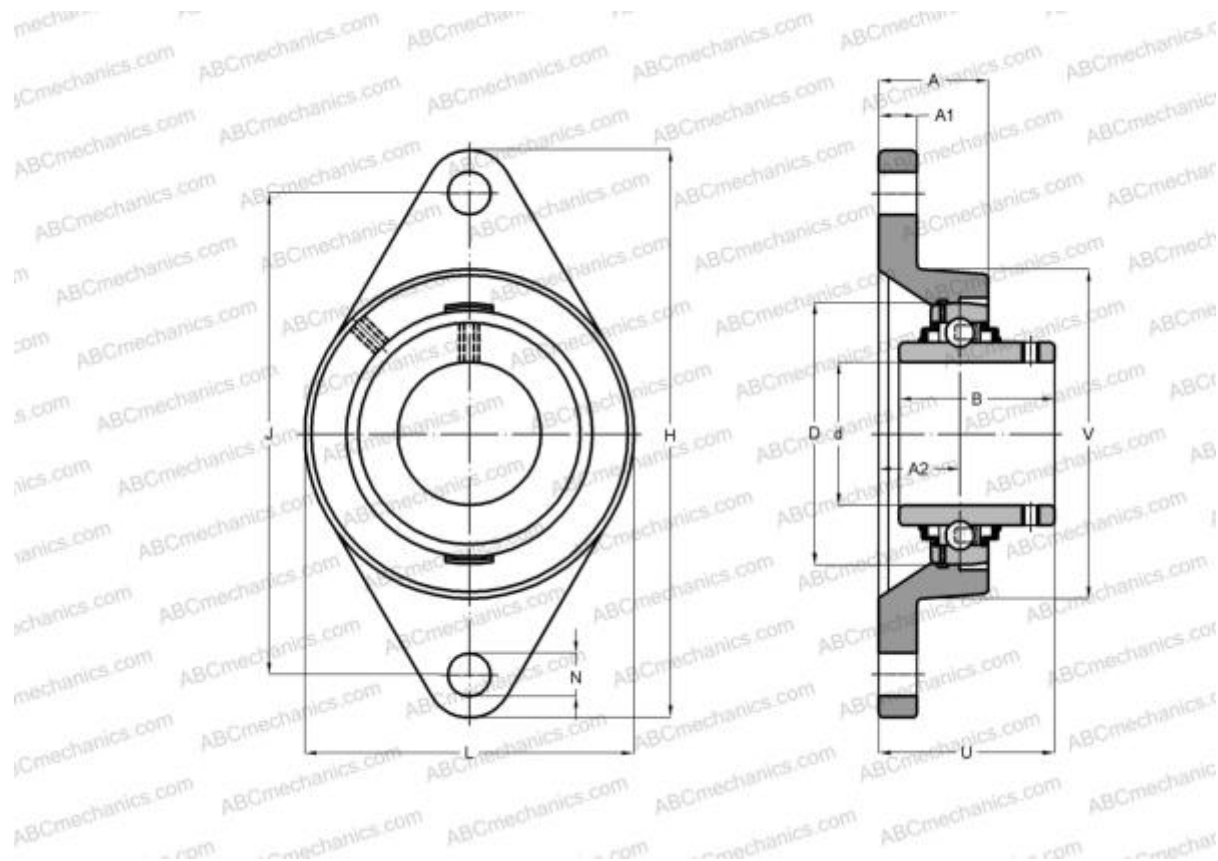


SUCFL206-20 SNR

Ball bearing units

TYPE: Housing units, Two-bolt flanged housing units, Cast iron housing, Radial insert ball bearing with grub screws in inner ring, With inner ring extended on both sides, massive bearing units, stainless steel, inch size



Technical specification

DIMENSIONS, MM

d	31,750
D	62,000
B	38,100
L	80,000
H	141,000
A	31,000
J	117,000
A1	13,000
A2	18,000
N	16,000
U	40,200

WEIGHT, KG

0,890

Bearing

SUC206-20

Housing

SFL206

MANUFACTURER

[SNR](#)

INTERCHANGE

ABC

[SUCFL206-20](#)

CALCULATION DATA

Operating temperature min	-20 °C
Operating temperature max	120 °C