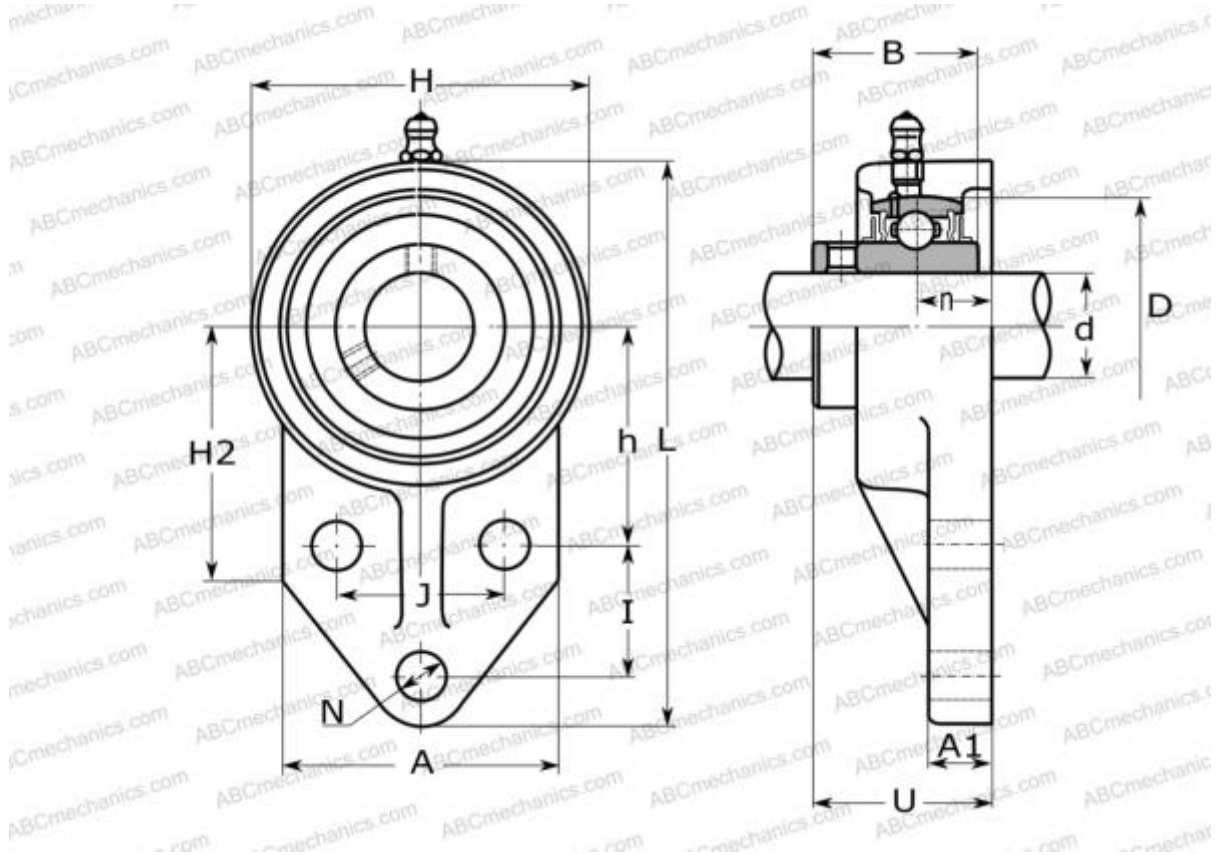


## SESB205 ABC

Ball bearing units

TYPE: Housing units, Three-bolt flange bracket units, Cast iron housing, Radial insert ball bearing with eccentric locking collar, With inner ring extended on both sides, stainless steel



### Technical specification

#### DIMENSIONS, MM

|    |         |
|----|---------|
| d  | 25,000  |
| D  | 52,000  |
| B  | 31,000  |
| L  | 119,000 |
| H  | 67,000  |
| A  | 63,500  |
| J  | 41,400  |
| A1 | 9,700   |
| N  | 10,000  |
| d3 | 38,100  |
| U  | 39,500  |
| I  | 28,700  |
| h  | 46,000  |
| n  | 16,000  |
| Q  | M6x1    |

#### WEIGHT, KG

|         |        |
|---------|--------|
|         | 0,700  |
| Bearing | SES205 |
| Housing | SFB205 |

#### MANUFACTURER

[ABC](#)

#### INTERCHANGE

|     |                         |
|-----|-------------------------|
| SNR | <a href="#">SESB205</a> |
|-----|-------------------------|