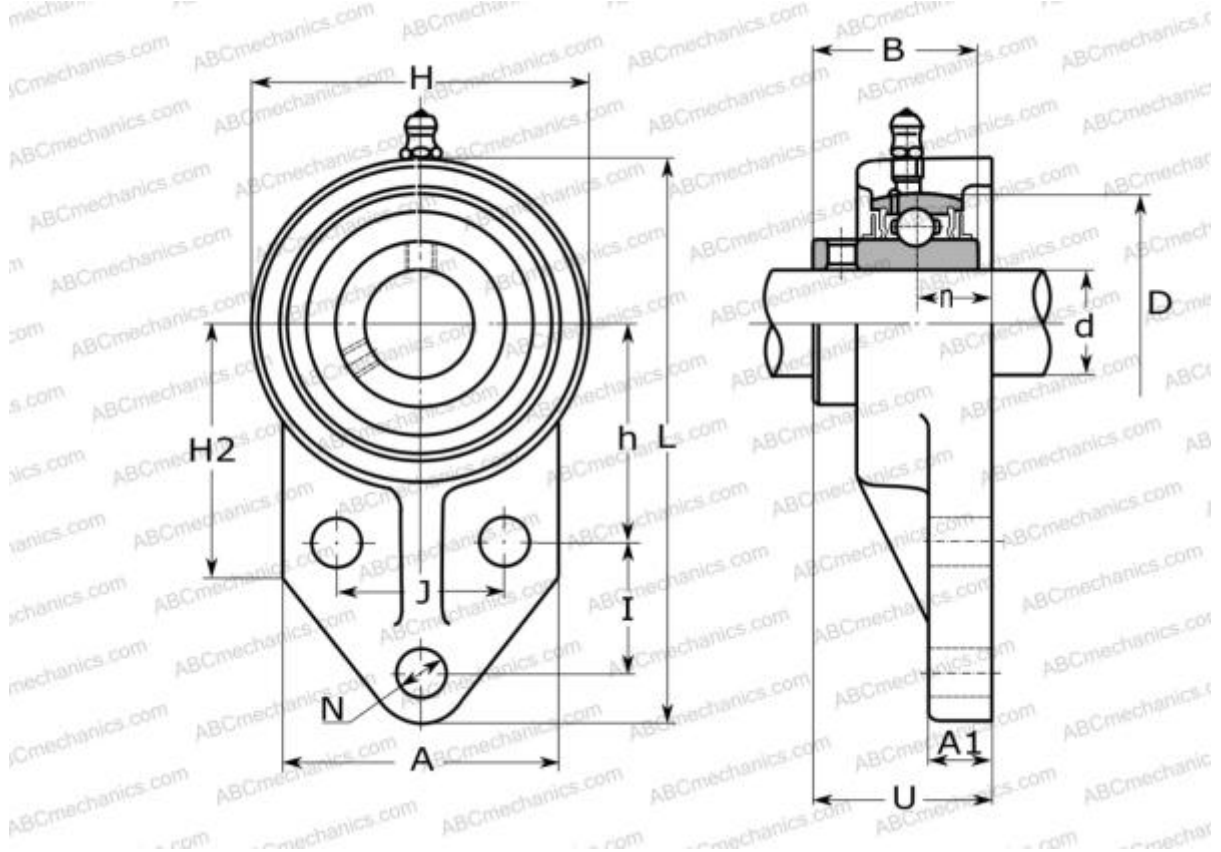


## SESB206 ABC

Ball bearing units

TYPE: Housing units, Three-bolt flange bracket units, Cast iron housing, Radial insert ball bearing with eccentric locking collar, With inner ring extended on both sides, stainless steel



### Technical specification

#### DIMENSIONS, MM

|    |         |
|----|---------|
| d  | 30,000  |
| D  | 62,000  |
| B  | 35,700  |
| L  | 135,000 |
| H  | 79,500  |
| A  | 70,000  |
| J  | 47,800  |
| A1 | 9,700   |
| N  | 10,000  |
| d3 | 44,500  |
| U  | 45,700  |
| I  | 31,800  |
| h  | 52,300  |
| n  | 18,000  |
| Q  | M6x1    |

#### WEIGHT, KG

|         |        |
|---------|--------|
|         | 0,900  |
| Bearing | SES206 |
| Housing | SFB206 |

#### MANUFACTURER

[ABC](#)

#### INTERCHANGE

|     |                          |
|-----|--------------------------|
| SNR | <a href="#">SESFB206</a> |
|-----|--------------------------|