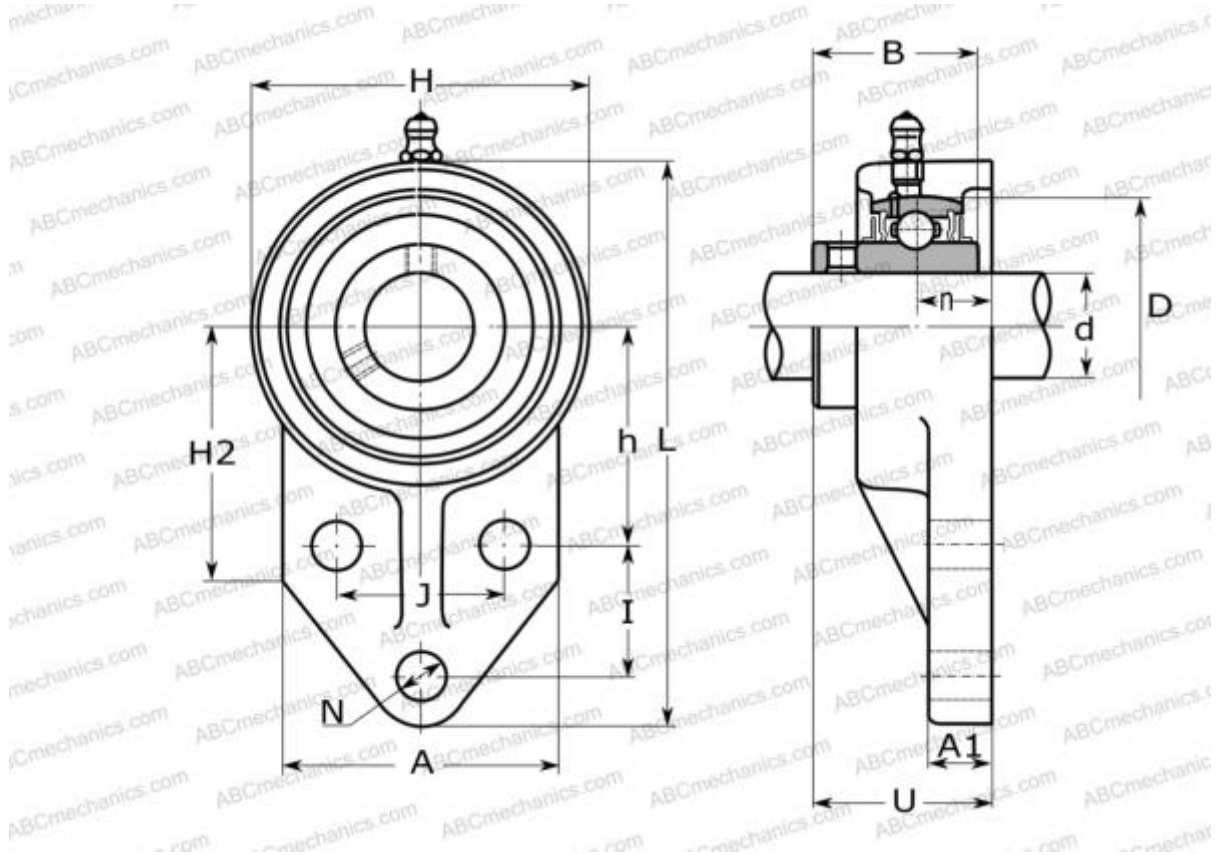


## SESFB206 SNR

Ball bearing units

TYPE: Housing units, Three-bolt flange bracket units, Cast iron housing, Radial insert ball bearing with eccentric locking collar, With inner ring extended on both sides, stainless steel



### Technical specification

#### DIMENSIONS, MM

d	30,000
D	62,000
B	35,700
L	135,000
H	79,500
A	70,000
J	47,800
A1	9,700
N	10,000
d3	44,500
U	45,700
I	31,800
h	52,300
n	18,000
Q	M6x1

#### WEIGHT, KG

	0,900
Bearing	SES206
Housing	SFB206

#### MANUFACTURER

[SNR](#)

#### INTERCHANGE

ABC	<a href="#">SESFB206</a>
-----	--------------------------

#### CALCULATION DATA

Basic dynamic load rating, C	15,300 kN
Basic static load rating, Co	11,500 kN
Operating temperature min	-20 °C
Operating temperature max	120 °C