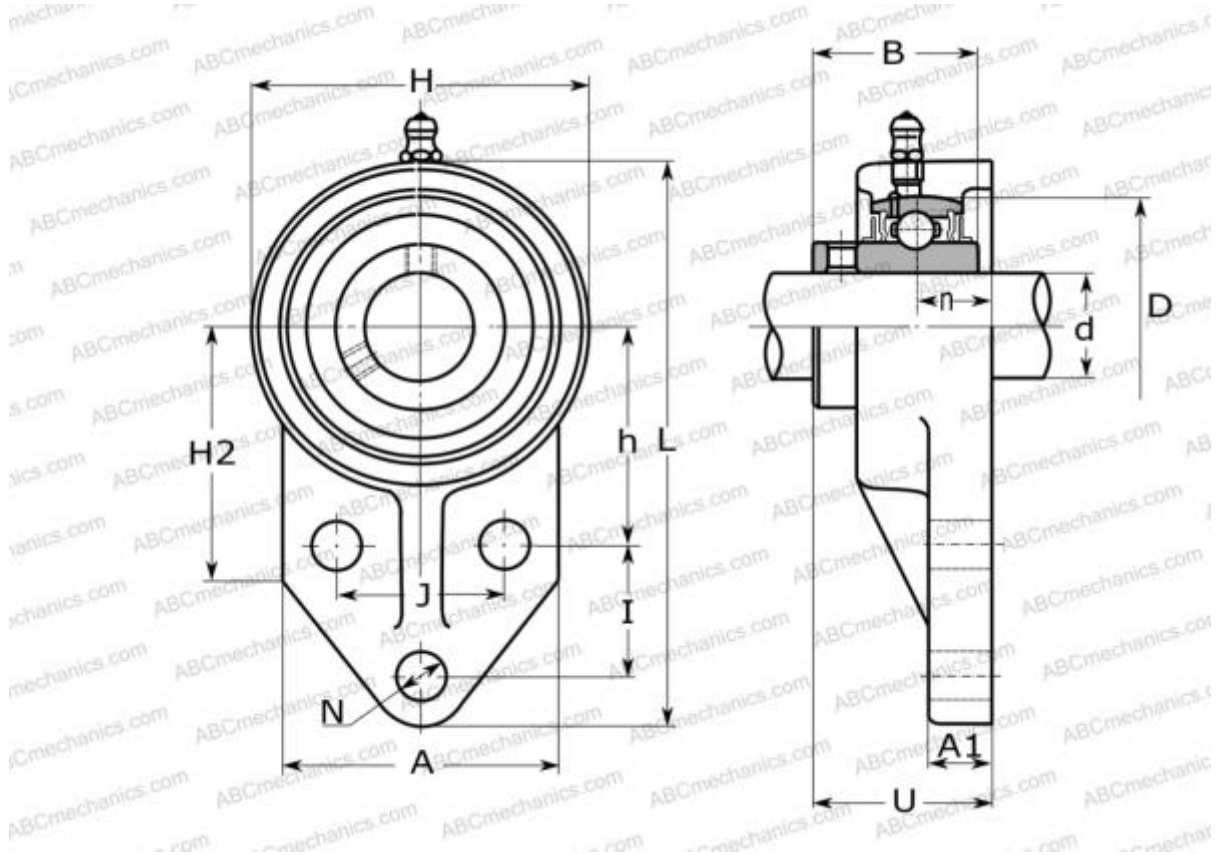


## SESB207 ABC

Ball bearing units

TYPE: Housing units, Three-bolt flange bracket units, Cast iron housing, Radial insert ball bearing with eccentric locking collar, With inner ring extended on both sides, stainless steel



### Technical specification

#### DIMENSIONS, MM

d	35,000
D	72,000
B	38,900
L	152,200
H	90,000
A	83,000
J	50,800
A1	12,700
N	13,500
d3	55,600
U	49,400
I	31,800
h	60,500
n	19,000
Q	M6x1

#### WEIGHT, KG

	1,400
Bearing	SES207
Housing	SFB207

#### MANUFACTURER

[ABC](#)

#### INTERCHANGE

SNR	<a href="#">SESB207</a>
-----	-------------------------