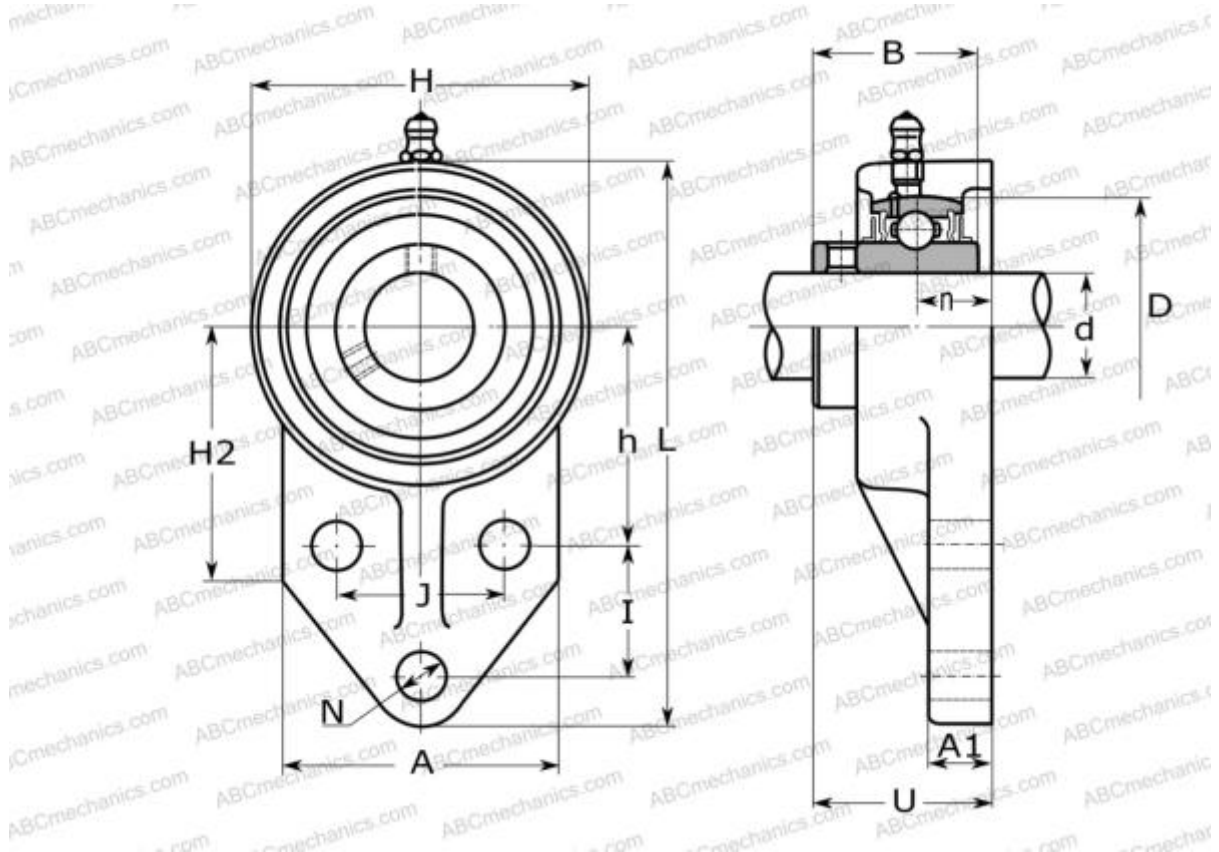


SESFB207 SNR

Ball bearing units

TYPE: Housing units, Three-bolt flange bracket units, Cast iron housing, Radial insert ball bearing with eccentric locking collar, With inner ring extended on both sides, stainless steel



Technical specification

DIMENSIONS, MM

d	35,000
D	72,000
B	38,900
L	152,200
H	90,000
A	83,000
J	50,800
A1	12,700
N	13,500
d3	55,600
U	49,400
I	31,800
h	60,500
n	19,000
Q	M6x1

WEIGHT, KG

Bearing	1,400
Housing	SES207
	SFB207

MANUFACTURER

[SNR](#)

INTERCHANGE

ABC	SESFB207
-----	--------------------------

CALCULATION DATA

Basic dynamic load rating, C	20,100 kN
Basic static load rating, Co	15,600 kN
Operating temperature min	-20 °C
Operating temperature max	120 °C