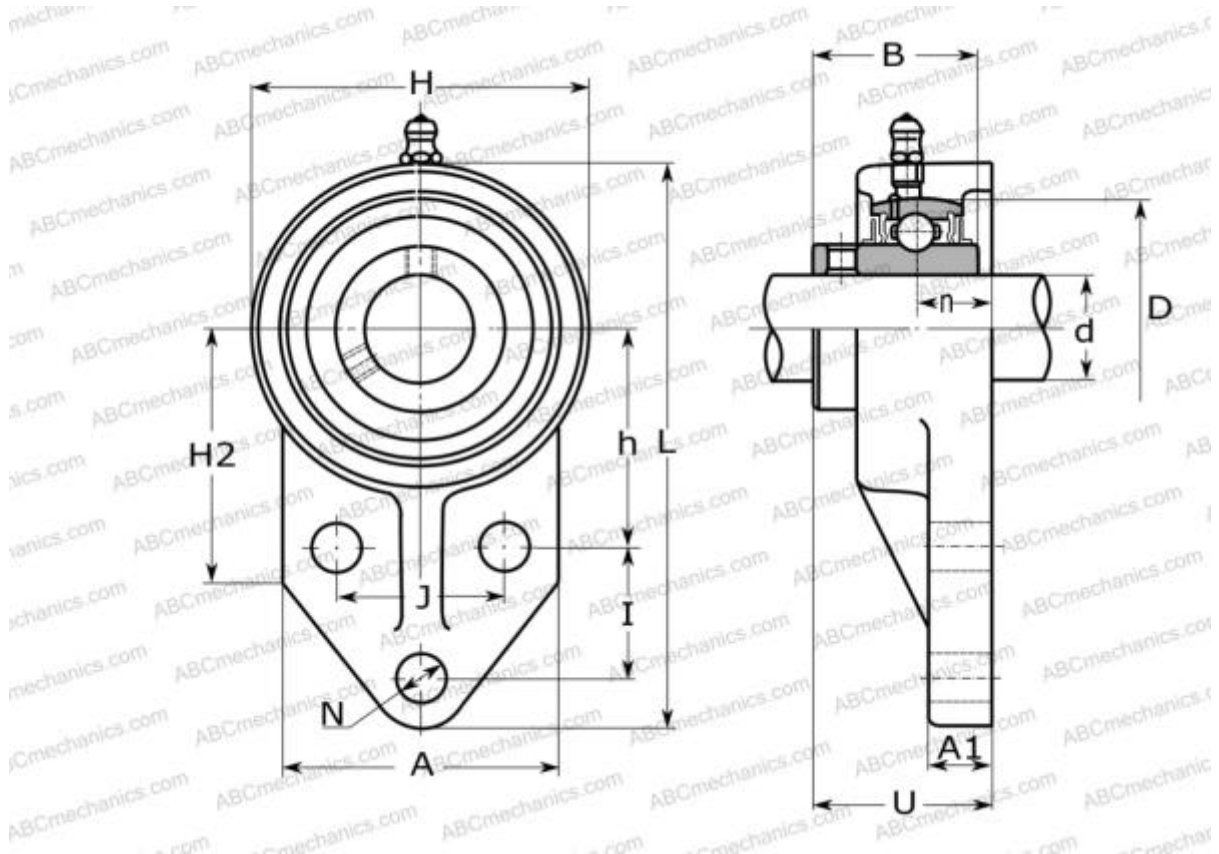


SESB208 ABC

Ball bearing units

TYPE: Housing units, Three-bolt flange bracket units, Cast iron housing, Radial insert ball bearing with eccentric locking collar, With inner ring extended on both sides, stainless steel



Technical specification

DIMENSIONS, MM

d	40,000
D	80,000
B	43,700
L	164,000
H	100,000
A	78,000
J	50,000
A1	12,700
N	13,500
d3	60,300
U	55,700
I	41,300
h	60,300
n	21,000
Q	M6x1

WEIGHT, KG

	1,700
Bearing	SES208
Housing	SFB208

MANUFACTURER

[ABC](#)

INTERCHANGE

SNR	SESB208
-----	-------------------------