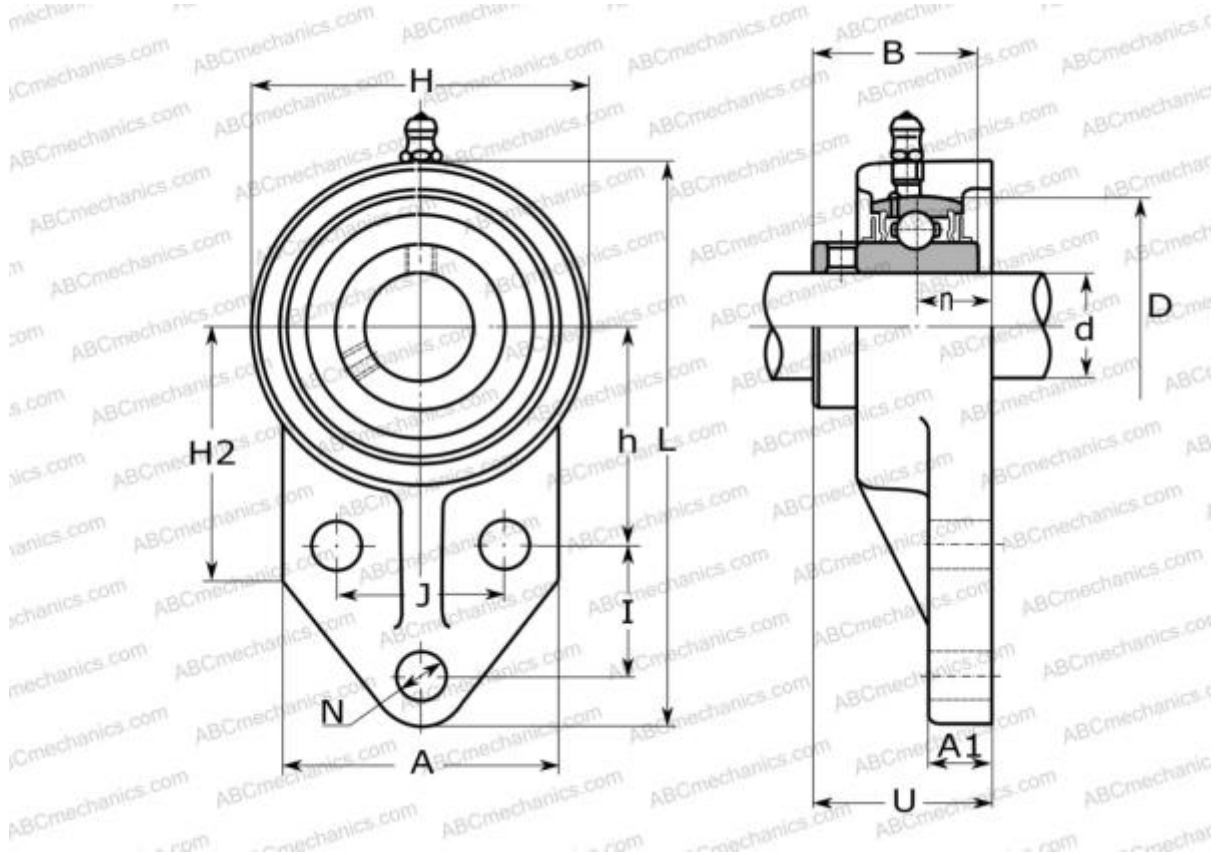


## SESB208 SNR

Ball bearing units

TYPE: Housing units, Three-bolt flange bracket units, Cast iron housing, Radial insert ball bearing with eccentric locking collar, With inner ring extended on both sides, stainless steel



### Technical specification

#### DIMENSIONS, MM

d	40,000
D	80,000
B	43,700
L	164,000
H	100,000
A	78,000
J	50,000
A1	12,700
N	13,500
d3	60,300
U	55,700
I	41,300
h	60,300
n	21,000
Q	M6x1

#### WEIGHT, KG

	1,700
Bearing	SES208
Housing	SFB208

#### MANUFACTURER

[SNR](#)

#### INTERCHANGE

ABC	<a href="#">SESFB208</a>
-----	--------------------------

#### CALCULATION DATA

Basic dynamic load rating, C	22,800 kN
Basic static load rating, Co	18,200 kN
Operating temperature min	-20 °C
Operating temperature max	120 °C