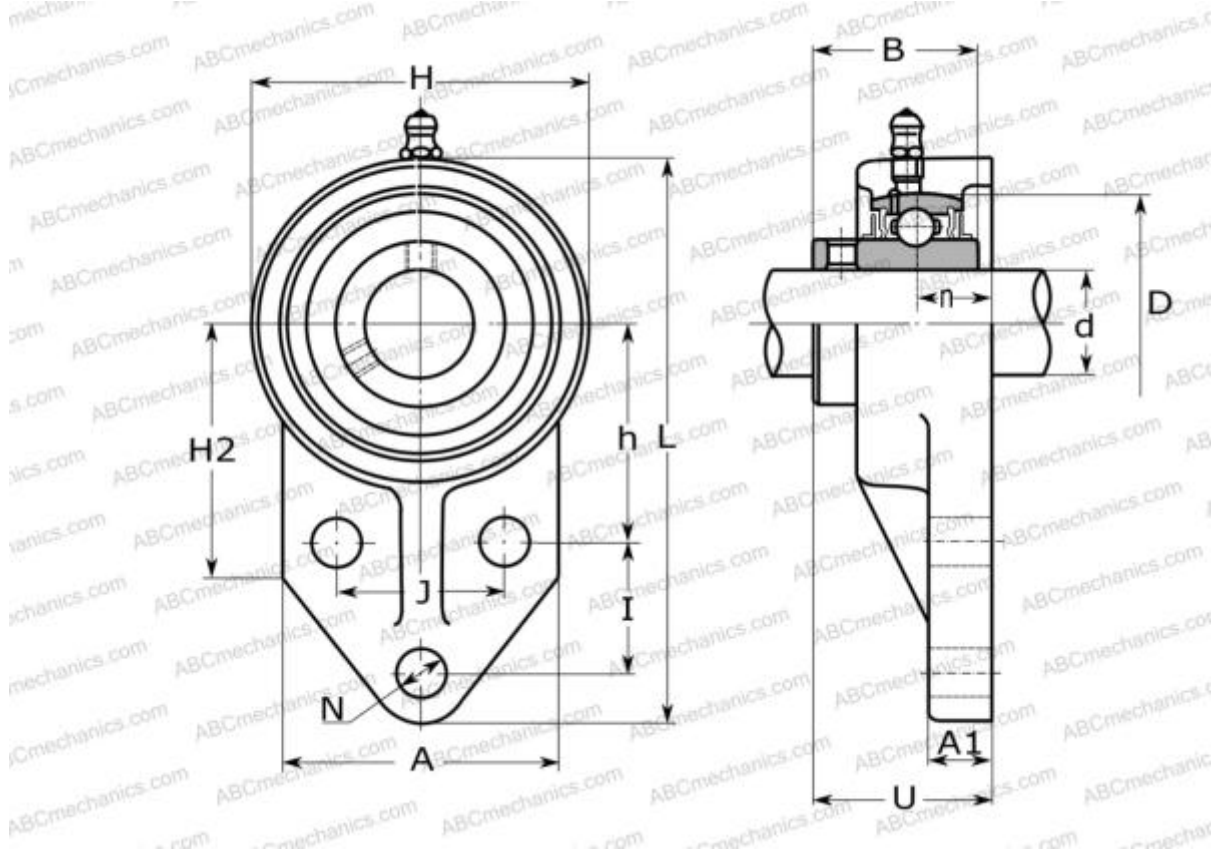


## SUCFB203 SNR

Ball bearing units

TYPE: Housing units, Three-bolt flange bracket units, Cast iron housing, Radial insert ball bearing with grub screws in inner ring, With inner ring extended at one side, stainless steel



### Technical specification

#### DIMENSIONS, MM

d	17,000
D	47,000
B	31,000
L	106,400
H	60,500
A	60,200
J	38,100
A1	7,900
N	10,000
U	33,300
I	22,400
h	42,900
n	15,000
Q	M6x1

#### WEIGHT, KG

	0,500
Bearing	SUC203
Housing	SFB204

#### MANUFACTURER

[SNR](#)

#### INTERCHANGE

ABC	<a href="#">SUCFB203</a>
-----	--------------------------

#### CALCULATION DATA

Basic dynamic load rating, C	10,100 kN
Basic static load rating, Co	6,800 kN
Operating temperature min	-20 °C
Operating temperature max	120 °C