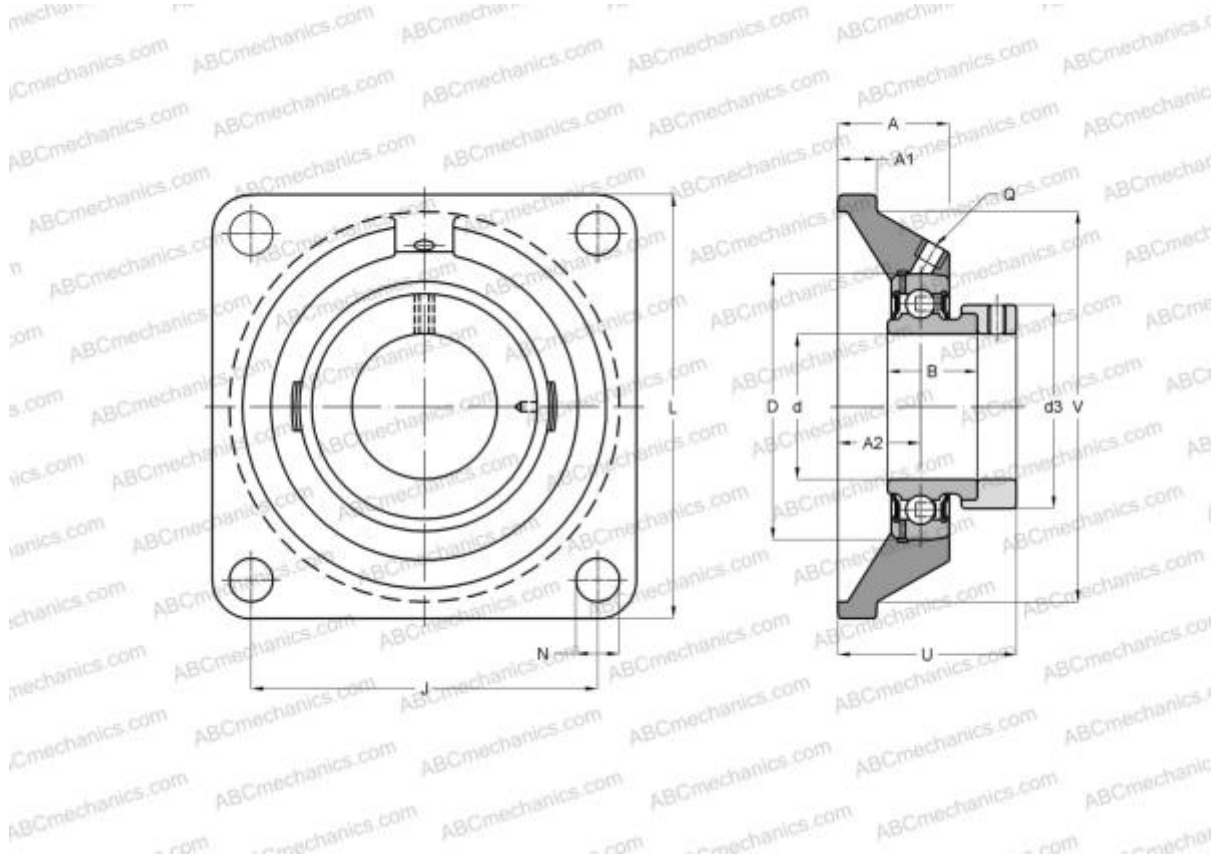


SESF203 ABC

Ball bearing units

TYPE: Housing units, Four-bolt flanged housing units, Cast iron housing, Radial insert ball bearing with eccentric locking collar, With inner ring extended at one side, stainless steel



Technical specification

DIMENSIONS, MM

| | |
|----|--------|
| d | 17,000 |
| D | 40,000 |
| B | 28,600 |
| L | 86,000 |
| A | 25,500 |
| J | 64,000 |
| A1 | 12,000 |
| A2 | 15,000 |
| N | 12,000 |
| d3 | 28,600 |
| U | 37,600 |

WEIGHT, KG 0,560

Bearing SES203

Housing

SF204

MANUFACTURER

[ABC](#)

INTERCHANGE

SNR

[SESF203](#)