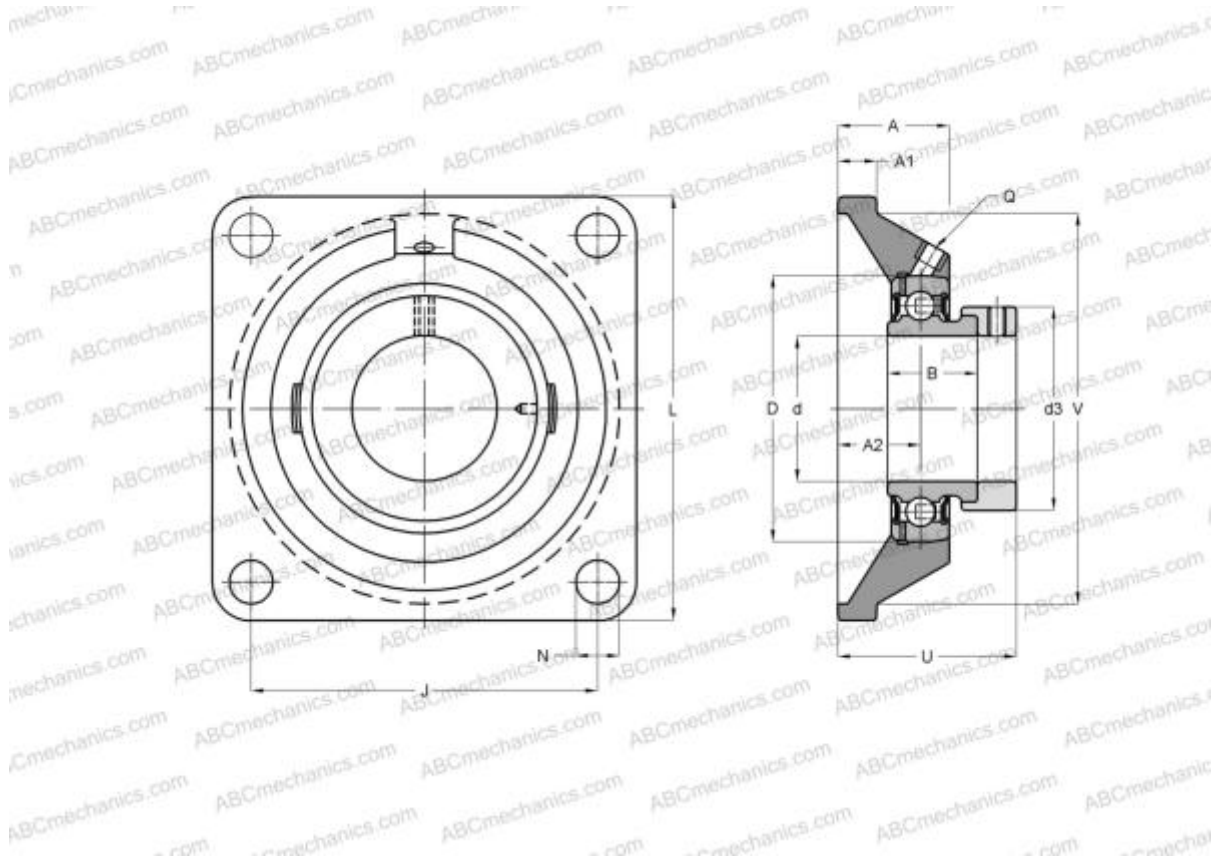


## SESF204 SNR

Ball bearing units

TYPE: Housing units, Four-bolt flanged housing units, Cast iron housing, Radial insert ball bearing with eccentric locking collar, With inner ring extended at one side, stainless steel



### Technical specification

#### DIMENSIONS, MM

d	20,000
D	47,000
B	31,000
L	86,000
A	25,500
J	64,000
A1	12,000
A2	15,000
N	12,000
d3	33,300
U	39,000

**WEIGHT, KG** 0,620

Bearing SES204

Housing SF204

**MANUFACTURER** [SNR](#)

#### INTERCHANGE

ABC [SESF204](#)

#### CALCULATION DATA

Operating temperature min	-20 °C
Operating temperature max	120 °C