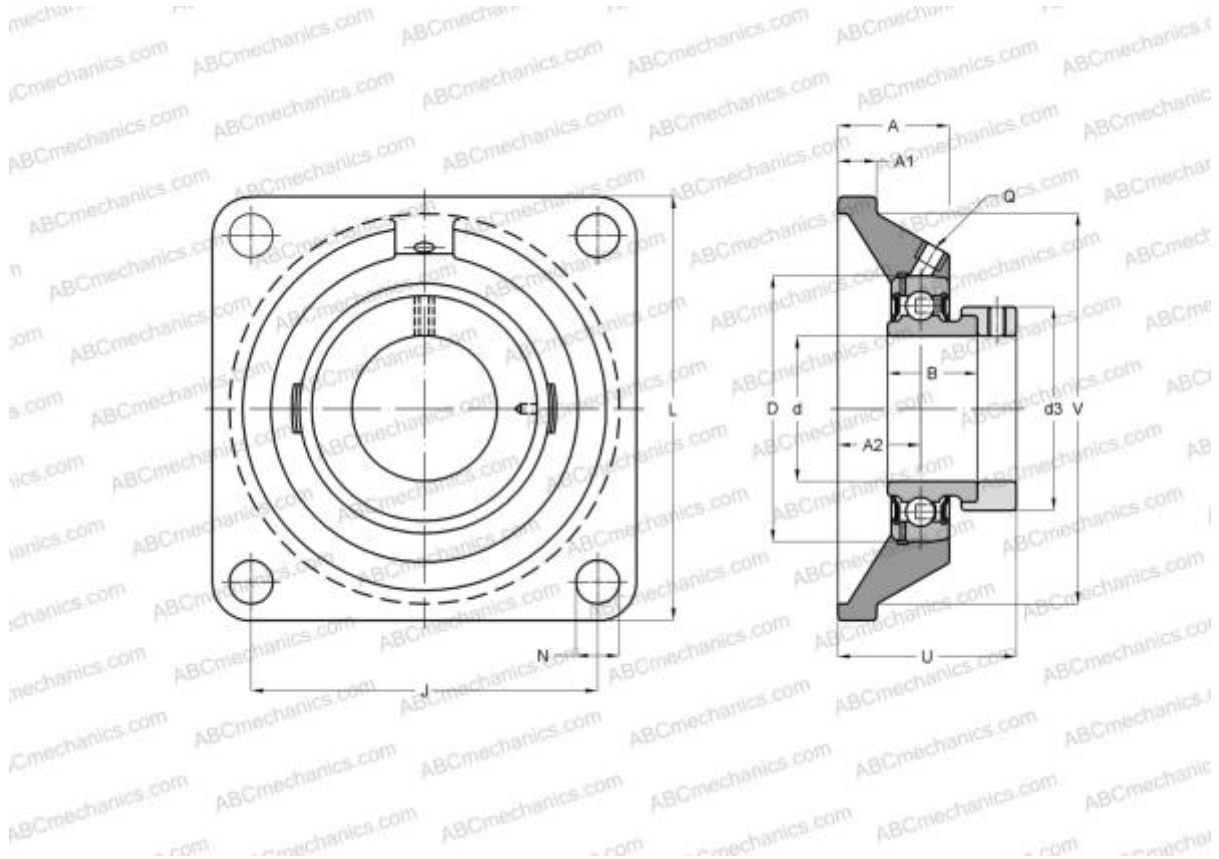


## SESF205-16 SNR

Ball bearing units

TYPE: Housing units, Four-bolt flanged housing units, Cast iron housing, Radial insert ball bearing with eccentric locking collar, With inner ring extended at one side, stainless steel, inch size



### Technical specification

#### DIMENSIONS, MM

d	25,400
D	52,000
B	31,000
L	95,000
A	27,000
J	70,000
A1	14,000
A2	16,000
N	12,000
d3	38,100
U	39,500

**WEIGHT, KG** 0,820

Bearing SES205-16

Housing SF205

**MANUFACTURER** [SNR](#)

#### INTERCHANGE

ABC [SESF205-16](#)

#### CALCULATION DATA

Operating temperature min	-20 °C
Operating temperature max	120 °C