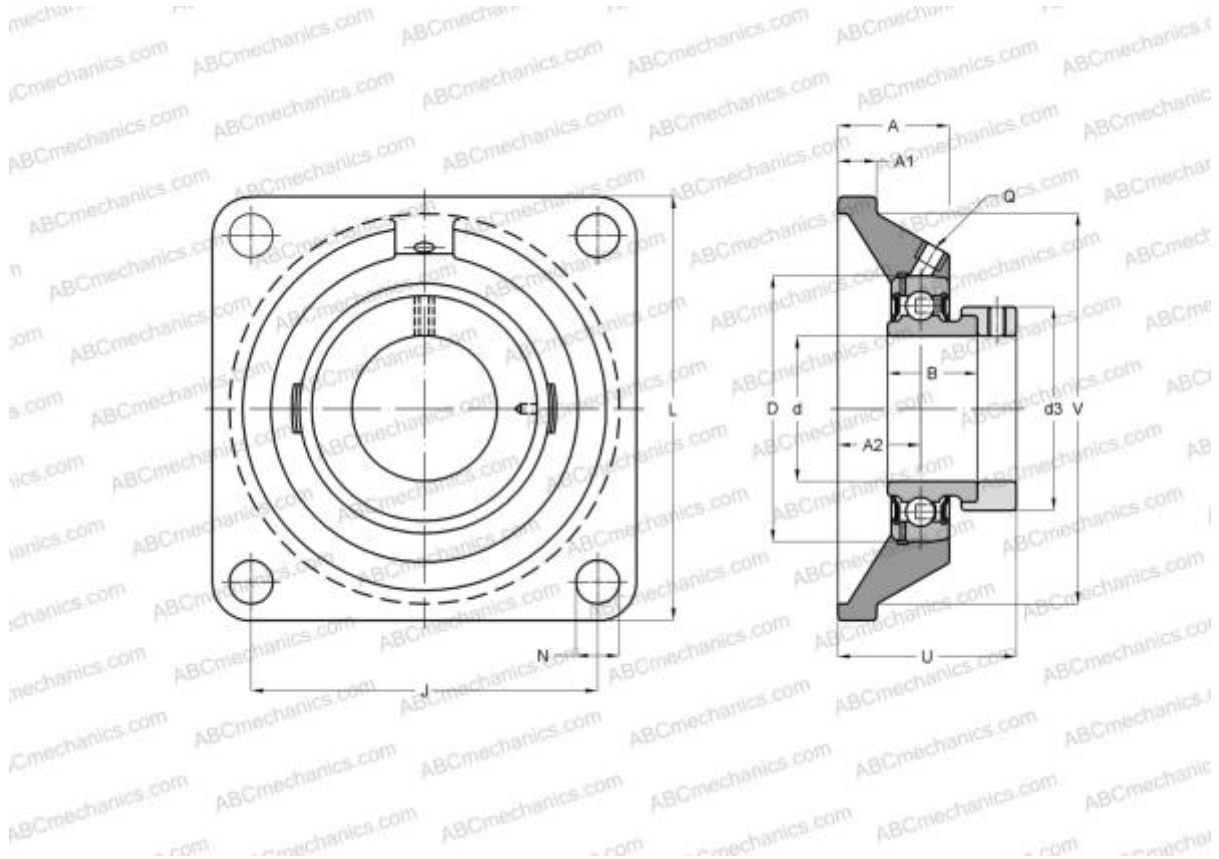


## SESF206-19 SNR

Ball bearing units

TYPE: Housing units, Four-bolt flanged housing units, Cast iron housing, Radial insert ball bearing with eccentric locking collar, With inner ring extended at one side, stainless steel, inch size



### Technical specification

#### DIMENSIONS, MM

d	30,163
D	62,000
B	35,700
L	108,000
A	30,500
J	83,000
A1	14,000
A2	18,000
N	12,000
d3	44,500
U	45,700

#### WEIGHT, KG

Bearing	1,130
	SES206-19

Housing SF206

#### MANUFACTURER

[SNR](#)

#### INTERCHANGE

ABC

[SESF206-19](#)

#### CALCULATION DATA

Operating temperature min	-20 °C
Operating temperature max	120 °C