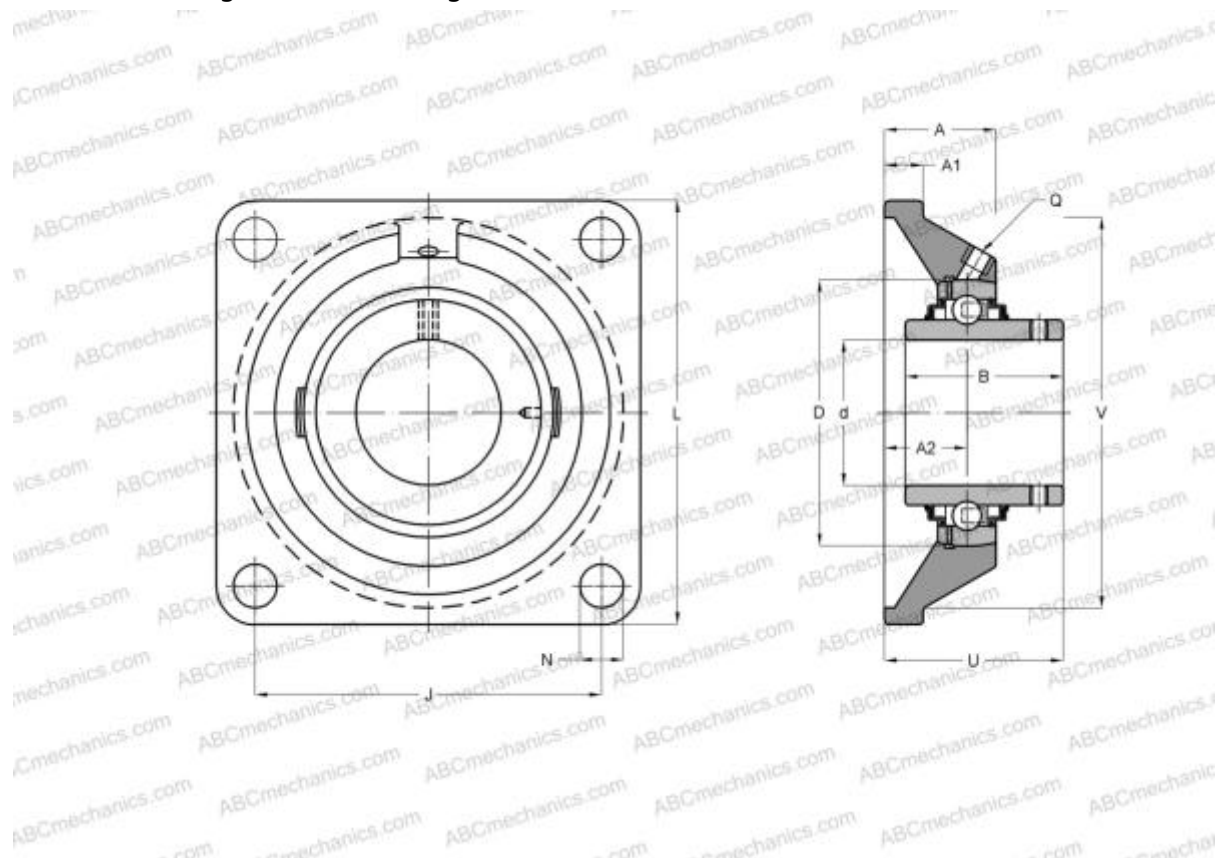


SUCF202 ABC

Ball bearing units

TYPE: Housing units, Four-bolt flanged housing units, Cast iron housing, Radial insert ball bearing with grub screws in inner ring, With inner ring extended on both sides, stainless steel



Technical specification

DIMENSIONS, MM

| | |
|----|--------|
| d | 15,000 |
| D | 47,000 |
| B | 31,000 |
| L | 86,000 |
| A | 25,500 |
| J | 64,000 |
| A1 | 12,000 |
| A2 | 15,000 |
| N | 12,000 |
| U | 33,300 |

WEIGHT, KG 0,640

| | |
|---------|--------|
| Bearing | SUC202 |
| Housing | SF204 |

MANUFACTURER

[ABC](#)

INTERCHANGE

SNR

[SUCF202](#)