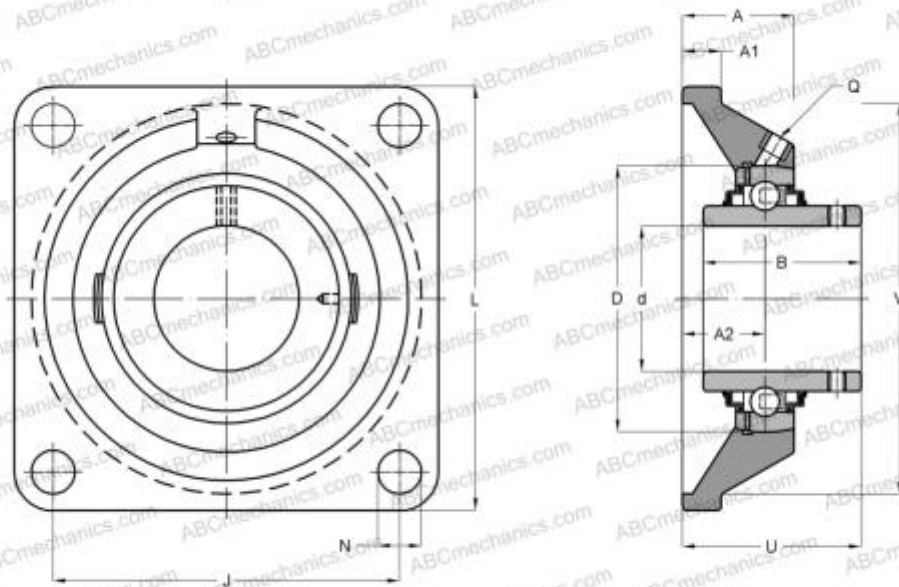


SUCF202 SNR

Ball bearing units

TYPE: Housing units, Four-bolt flanged housing units, Cast iron housing, Radial insert ball bearing with grub screws in inner ring, With inner ring extended on both sides, stainless steel



Technical specification

DIMENSIONS, MM

d	15,000
D	47,000
B	31,000
L	86,000
A	25,500
J	64,000
A1	12,000
A2	15,000
N	12,000
U	33,300

WEIGHT, KG

0,640

Bearing	SUC202
Housing	SF204

MANUFACTURER

[SNR](#)

INTERCHANGE

ABC

[SUCF202](#)

CALCULATION DATA

Operating temperature min	-20 °C
Operating temperature max	120 °C