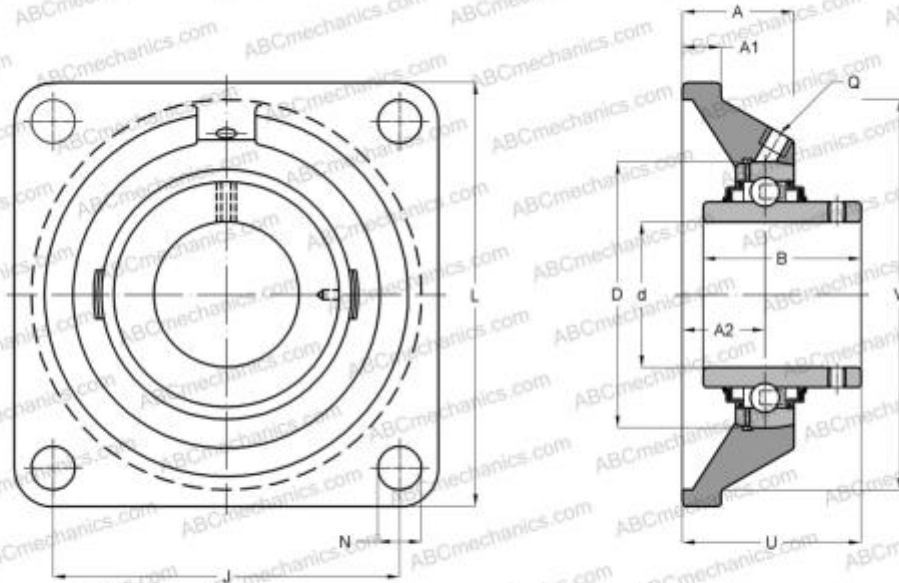


## SUCF205 SNR

Ball bearing units

TYPE: Housing units, Four-bolt flanged housing units, Cast iron housing, Radial insert ball bearing with grub screws in inner ring, With inner ring extended on both sides, stainless steel



### Technical specification

#### DIMENSIONS, MM

d	25,000
D	52,000
B	34,100
L	95,000
A	27,000
J	70,000
A1	14,000
A2	16,000
N	12,000
U	35,800

**WEIGHT, KG** 0,820

Bearing	SUC205
Housing	SF205

#### MANUFACTURER

[SNR](#)

#### INTERCHANGE

ABC [SUCF205](#)

#### CALCULATION DATA

Operating temperature min	-20 °C
Operating temperature max	120 °C