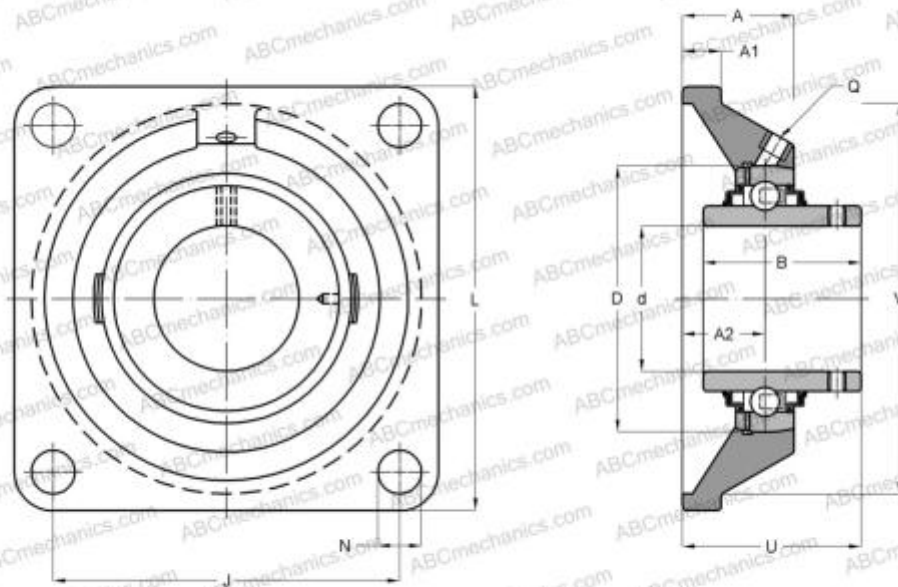


## SUCF204-12 SNR

Ball bearing units

TYPE: Housing units, Four-bolt flanged housing units, Cast iron housing, Radial insert ball bearing with grub screws in inner ring, With inner ring extended on both sides, stainless steel, inch size



### Technical specification

#### DIMENSIONS, MM

d	19,050
D	47,000
B	31,000
L	86,000
A	25,500
J	64,000
A1	12,000
A2	15,000
N	12,000
U	33,300

**WEIGHT, KG** 0,610

Bearing	SUC204-12
Housing	SF204

#### MANUFACTURER

[SNR](#)

#### INTERCHANGE

ABC [SUCF204-12](#)

#### CALCULATION DATA

Operating temperature min	-20 °C
Operating temperature max	120 °C