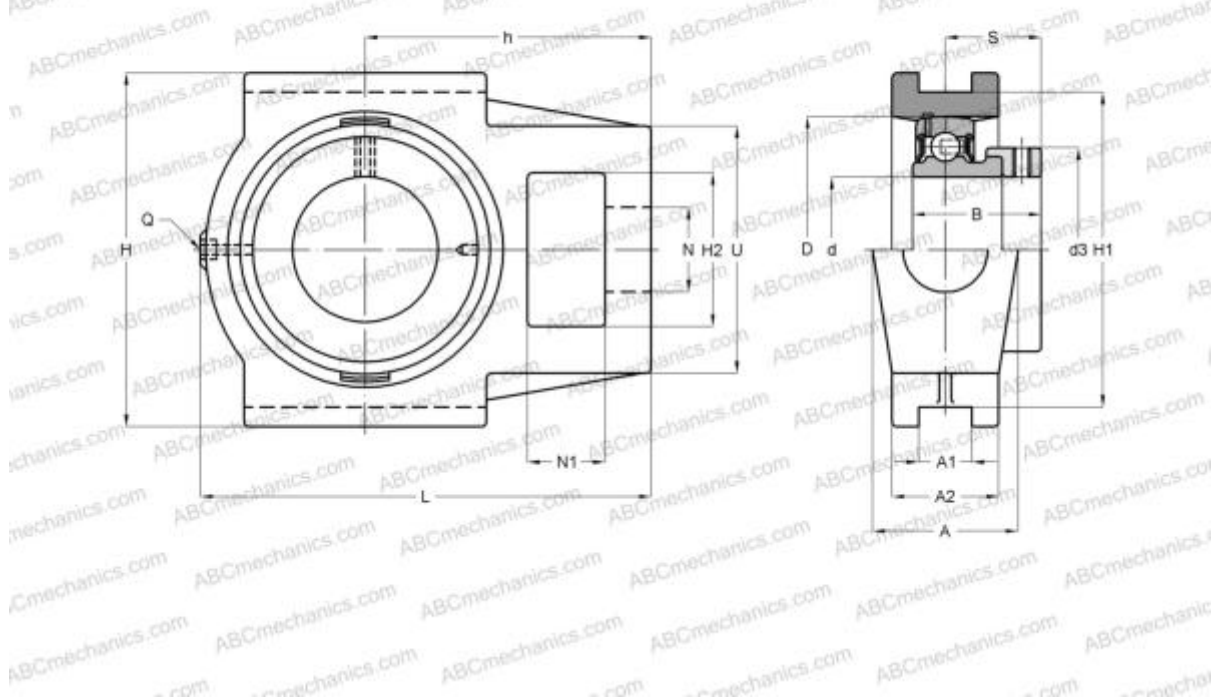


## SEST203 ABC

Ball bearing units

TYPE: Housing units, Take-up housing units, Cast iron housing, Radial insert ball bearing with eccentric locking collar, With inner ring extended at one side, for tensioning frame, stainless steel



### Technical specification

#### DIMENSIONS, MM

|    |        |
|----|--------|
| d  | 17,000 |
| D  | 40,000 |
| B  | 28,600 |
| L  | 94,000 |
| H  | 89,000 |
| A  | 32,000 |
| H2 | 32,000 |
| A1 | 12,000 |
| A2 | 21,000 |
| H1 | 76,000 |
| N  | 19,000 |
| N1 | 16,000 |
| S  | 22,600 |
| d3 | 28,600 |
| U  | 51,000 |

#### DIMENSIONS, MM

|   |        |
|---|--------|
| h | 61,000 |
|---|--------|

#### WEIGHT, KG

|         |        |
|---------|--------|
|         | 0,740  |
| Bearing | SES203 |
| Housing | ST204  |

#### MANUFACTURER

[ABC](#)

#### INTERCHANGE

|     |                         |
|-----|-------------------------|
| SNR | <a href="#">SEST203</a> |
|-----|-------------------------|