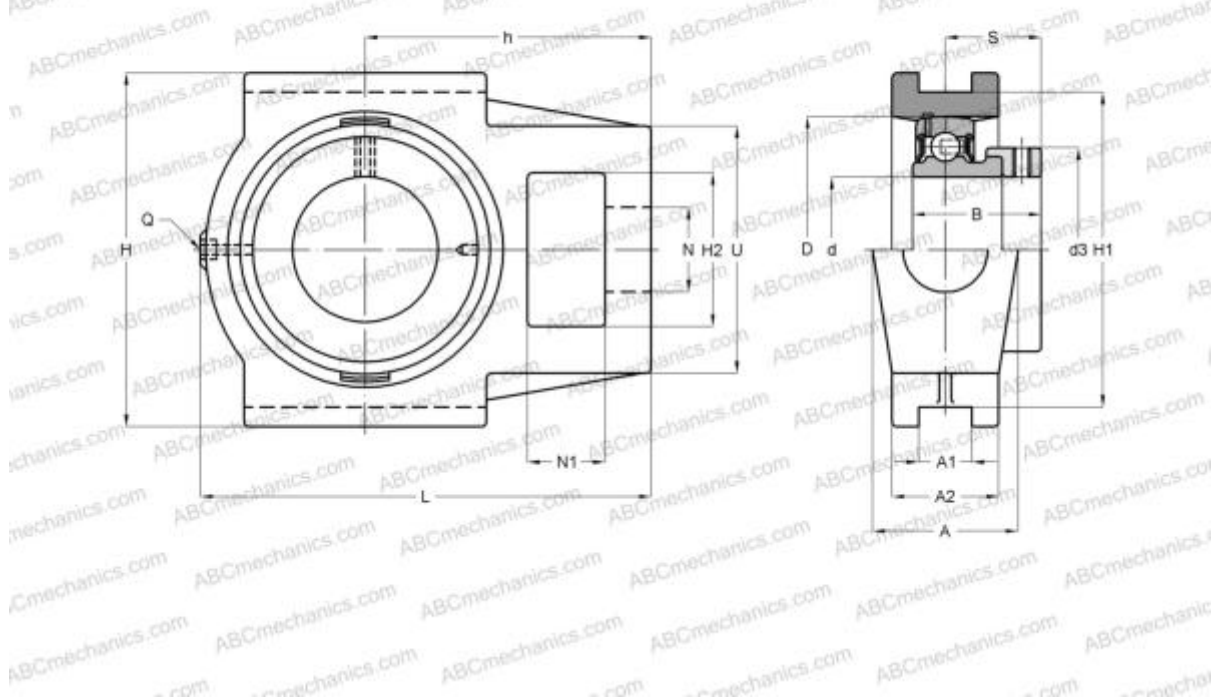


SEST204 ABC

Ball bearing units

TYPE: Housing units, Take-up housing units, Cast iron housing, Radial insert ball bearing with eccentric locking collar, With inner ring extended at one side, for tensioning frame, stainless steel



Technical specification

DIMENSIONS, MM

d	20,000
D	47,000
B	31,000
L	94,000
H	89,000
A	32,000
H2	32,000
A1	12,000
A2	21,000
H1	76,000
N	19,000
N1	16,000
S	24,000
d3	33,300
U	51,000

DIMENSIONS, MM

h	61,000
---	--------

WEIGHT, KG

	0,800
Bearing	SES204
Housing	ST204

MANUFACTURER

[ABC](#)

INTERCHANGE

SNR	SEST204
-----	-------------------------