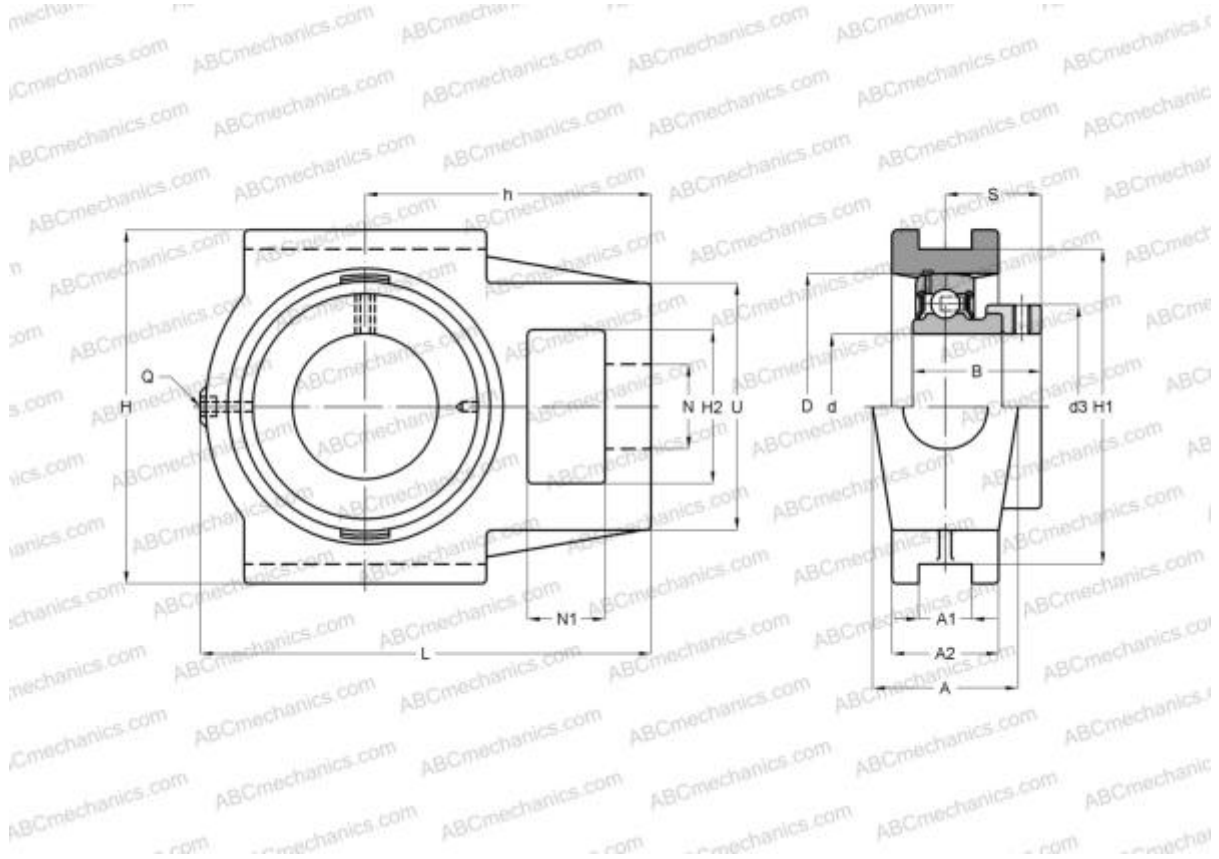


## SEST204-12 SNR

Ball bearing units

TYPE: Housing units, Take-up housing units, Cast iron housing, Radial insert ball bearing with eccentric locking collar, With inner ring extended at one side, for tensioning frame, stainless steel, inch size



### Technical specification

#### DIMENSIONS, MM

|    |        |
|----|--------|
| d  | 19,050 |
| D  | 47,000 |
| B  | 31,000 |
| L  | 94,000 |
| H  | 89,000 |
| A  | 32,000 |
| H2 | 32,000 |
| A1 | 12,000 |
| A2 | 21,000 |
| H1 | 76,000 |
| N  | 19,000 |
| N1 | 16,000 |
| S  | 24,000 |
| d3 | 33,300 |
| U  | 51,000 |

#### DIMENSIONS, MM

|   |        |
|---|--------|
| h | 61,000 |
|---|--------|

#### WEIGHT, KG

|         |           |
|---------|-----------|
| 0,800   |           |
| Bearing | SES204-12 |
| Housing | ST204     |

#### MANUFACTURER

[SNR](#)

#### CALCULATION DATA

|                           |        |
|---------------------------|--------|
| Operating temperature min | -20 °C |
| Operating temperature max | 120 °C |