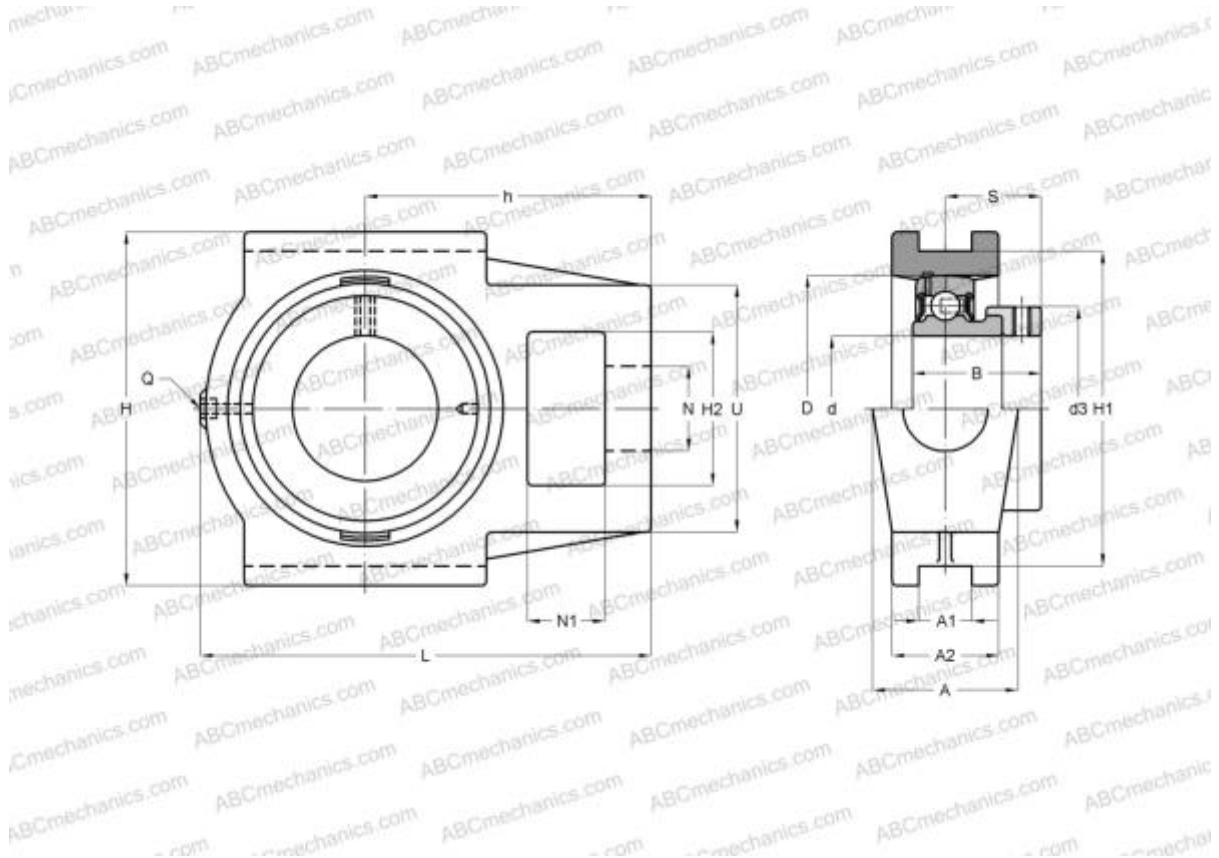


SEST205-16 SNR

Ball bearing units

TYPE: Housing units, Take-up housing units, Cast iron housing, Radial insert ball bearing with eccentric locking collar, With inner ring extended at one side, for tensioning frame, stainless steel, inch size



Technical specification

DIMENSIONS, MM

| | |
|----|--------|
| d | 25,400 |
| D | 52,000 |
| B | 31,000 |
| L | 97,000 |
| H | 89,000 |
| A | 32,000 |
| H2 | 32,000 |
| A1 | 12,000 |
| A2 | 24,000 |
| H1 | 76,000 |
| N | 19,000 |
| N1 | 16,000 |
| S | 23,500 |
| d3 | 38,100 |
| U | 51,000 |

DIMENSIONS, MM

| | |
|---|--------|
| h | 62,000 |
|---|--------|

WEIGHT, KG

| | |
|---------|-----------|
| Bearing | SES205-16 |
| Housing | ST205 |

MANUFACTURER

[SNR](#)

CALCULATION DATA

| | |
|---------------------------|--------|
| Operating temperature min | -20 °C |
| Operating temperature max | 120 °C |