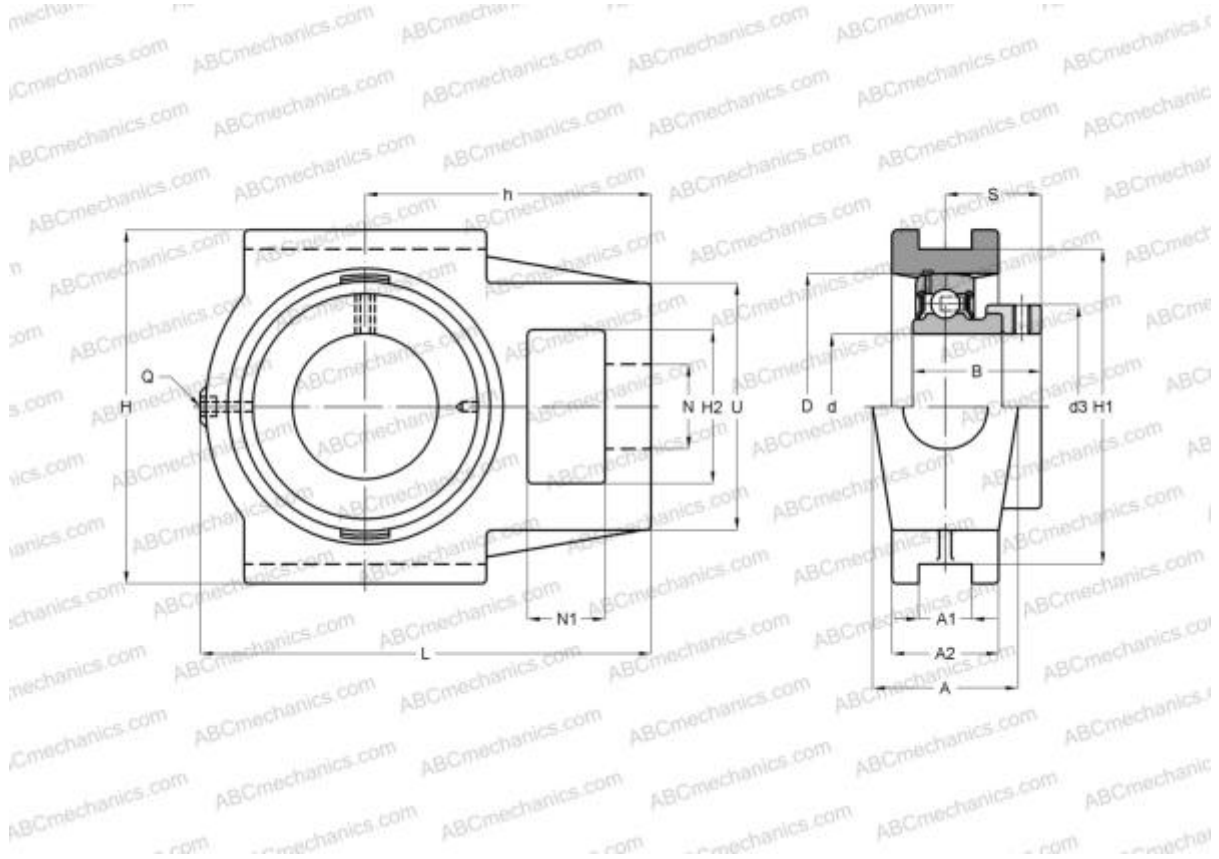


## SEST210-31 SNR

Ball bearing units

TYPE: Housing units, Take-up housing units, Cast iron housing, Radial insert ball bearing with eccentric locking collar, With inner ring extended at one side, for tensioning frame, stainless steel, inch size



### Technical specification

#### DIMENSIONS, MM

d	49,213
D	90,000
B	43,700
L	149,000
H	117,000
A	49,000
H2	49,000
A1	16,000
A2	37,000
H1	102,000
N	29,000
N1	19,000
S	33,700
d3	69,900
U	83,000

#### DIMENSIONS, MM

h	90,000
---	--------

#### WEIGHT, KG

Bearing	SES210-31
Housing	ST210

#### MANUFACTURER

[SNR](#)

#### CALCULATION DATA

Operating temperature min	-20 °C
Operating temperature max	120 °C