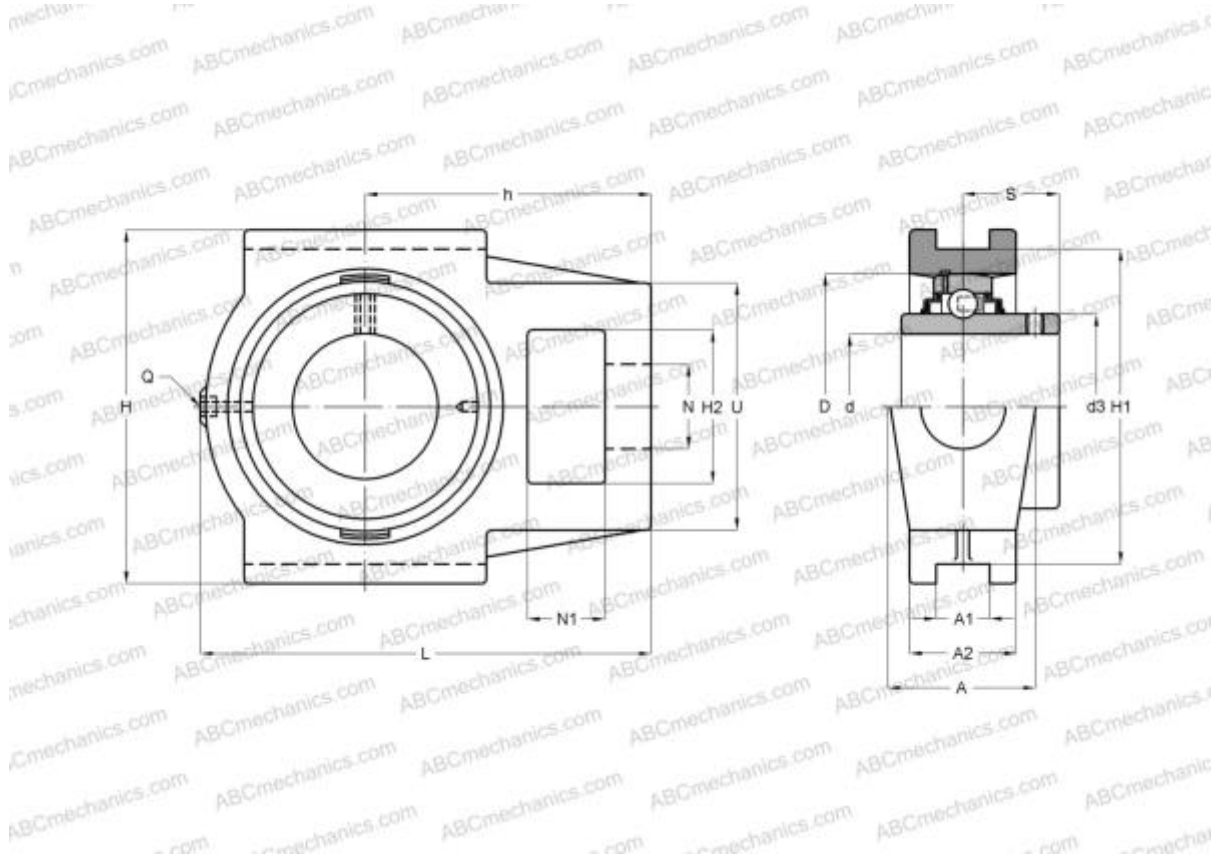


SUCT206-20 ABC

Ball bearing units

TYPE: Housing units, Take-up housing units, Cast iron housing, Radial insert ball bearing with grub screws in inner ring, With inner ring extended on both sides, for tensioning frame, stainless steel, inch size



Technical specification

DIMENSIONS, MM

| | |
|----|---------|
| d | 31,750 |
| D | 62,000 |
| B | 38,100 |
| L | 113,000 |
| H | 102,000 |
| A | 37,000 |
| H2 | 37,000 |
| A1 | 12,000 |
| A2 | 28,000 |
| H1 | 89,000 |
| N | 22,000 |
| N1 | 16,000 |
| S | 22,200 |
| U | 56,000 |
| h | 70,000 |

WEIGHT, KG

| | |
|---------|------------|
| | 1,360 |
| Bearing | SUCT206-20 |
| Housing | ST206 |

MANUFACTURER

[ABC](#)

INTERCHANGE

| | |
|-----|----------------------------|
| SNR | SUCT206-20 |
|-----|----------------------------|