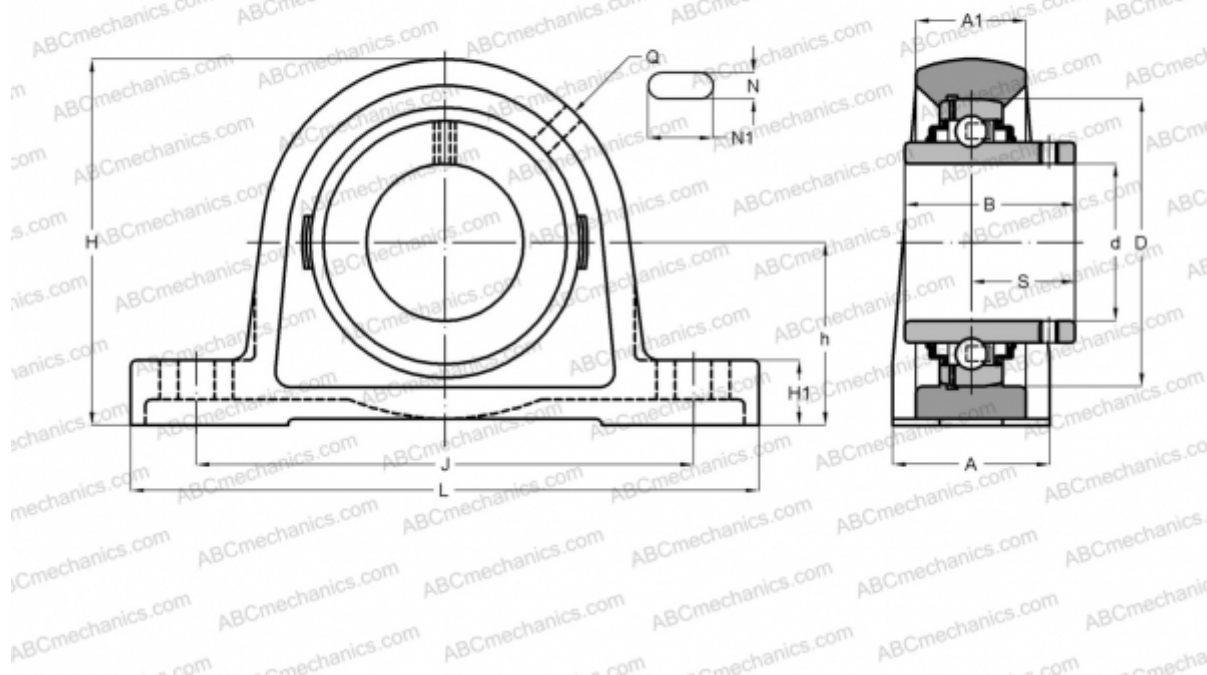


## UCP X05 D1 NTN

Ball bearing units

TYPE: Housing units, Plummer block, Cast iron housing, Radial insert ball bearing with grub screws in inner ring, With inner ring extended on both sides, massive bearing units, medium duty



### Technical specification

#### DIMENSIONS, MM

d	25,000
B	38,100
L	159,000
H	85,000
A	51,000
J	119,000
H1	18,000
N	17,000
N1	25,000
S	22,200
h	44,400

**WEIGHT, KG** 1,500

Bearing UCX05

Housing PX05

**MANUFACTURER** [NTN](#)

#### INTERCHANGE

ABC	<a href="#">UCP X05</a>
ASAHI	<a href="#">UCP X05</a>
SLB	<a href="#">UCPX05</a>
FYH	<a href="#">UCP X05</a>