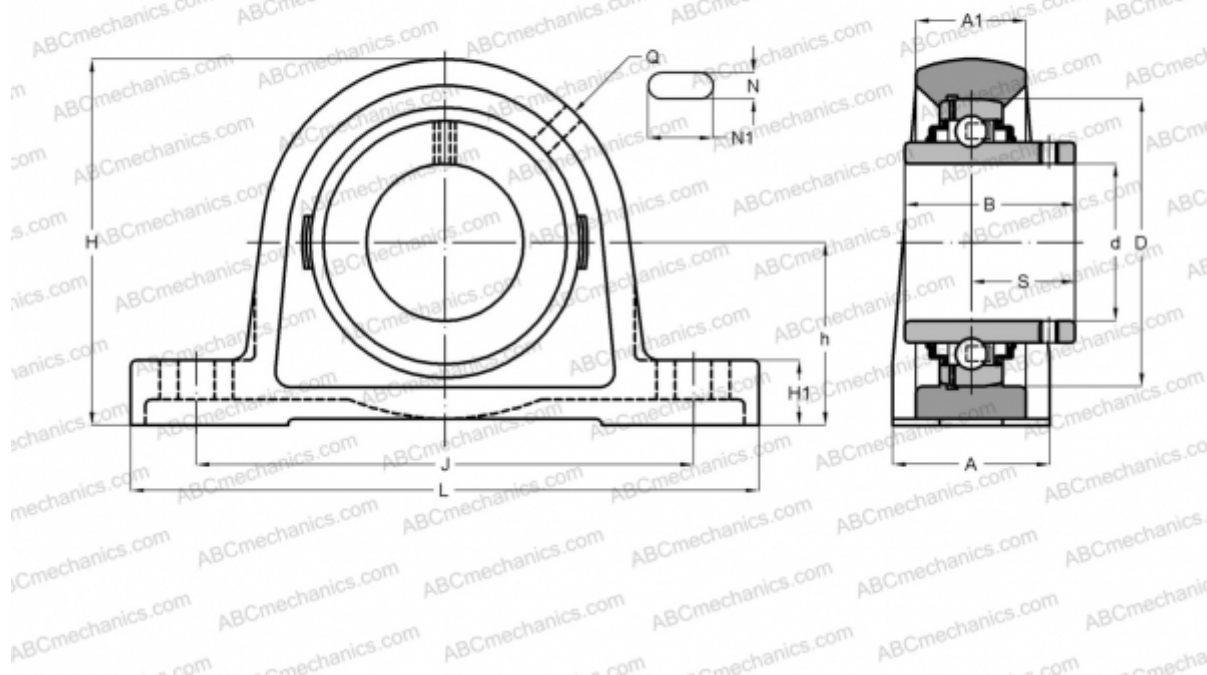


UCP X06 FYH

Ball bearing units

TYPE: Housing units, Plummer block, Cast iron housing, Radial insert ball bearing with grub screws in inner ring, With inner ring extended on both sides, massive bearing units, medium duty



Technical specification

DIMENSIONS, MM

d	30,000
B	42,900
L	175,000
H	94,000
A	57,000
J	127,000
H1	20,000
N	17,000
N1	25,000
S	25,400
h	47,600

WEIGHT, KG 1,900

Bearing UCX06

Housing PX06

MANUFACTURER [FYH](#)

INTERCHANGE

ABC	UCP X06
ASAHI	UCP X06
SLB	UCPX06
NTN	UCP X06 D1