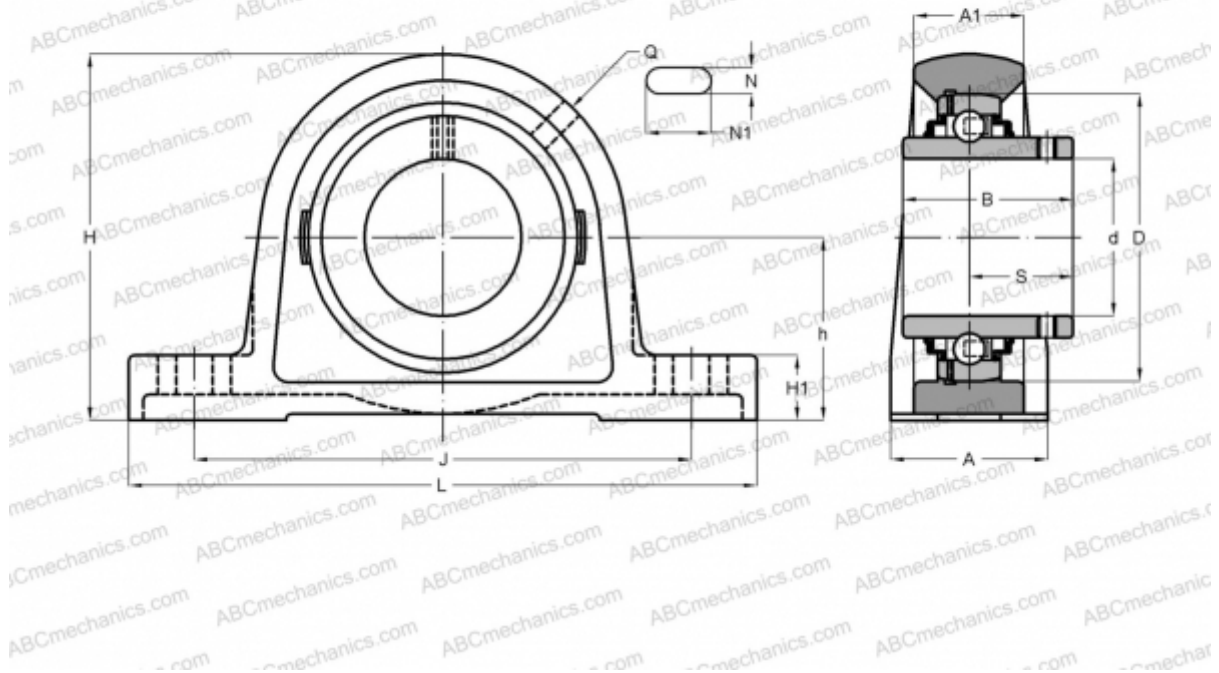


## UCP X06 D1 NTN

Ball bearing units

TYPE: Housing units, Plummer block, Cast iron housing, Radial insert ball bearing with grub screws in inner ring, With inner ring extended on both sides, massive bearing units, medium duty



### Technical specification

#### DIMENSIONS, MM

d	30,000
B	42,900
L	175,000
H	94,000
A	57,000
J	127,000
H1	20,000
N	17,000
N1	25,000
S	25,400
h	47,600

#### WEIGHT, KG

	1,900
Bearing	UCX06

Housing

PX06

#### MANUFACTURER

[NTN](#)

#### INTERCHANGE

ABC	<a href="#">UCP X06</a>
ASAHI	<a href="#">UCP X06</a>
SLB	<a href="#">UCPX06</a>
FYH	<a href="#">UCP X06</a>