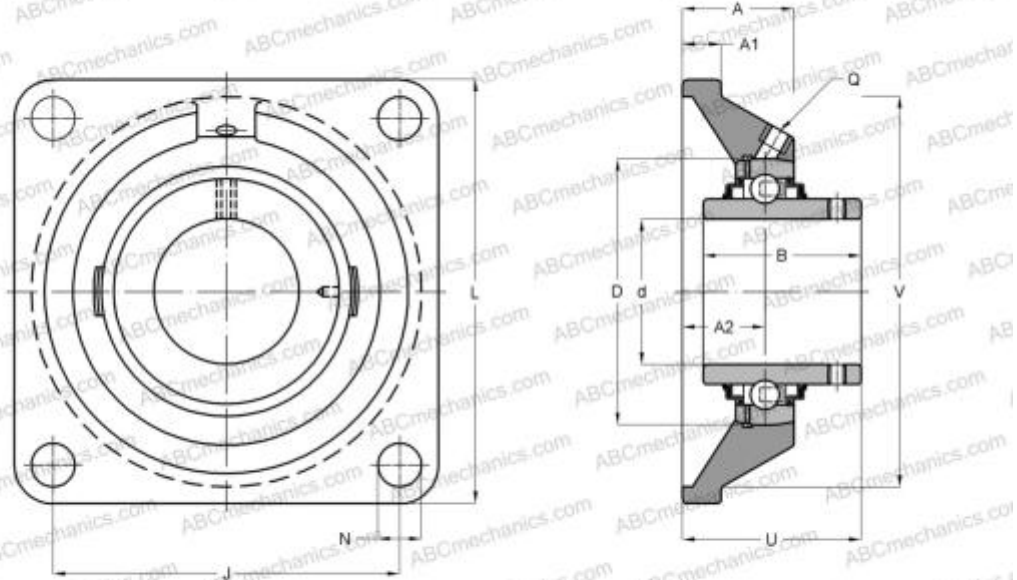


UCF X05 ASAHI

Ball bearing units

TYPE: Housing units, Four-bolt flanged housing units, Cast iron housing, Radial insert ball bearing with grub screws in inner ring, With inner ring extended on both sides, medium duty



Technical specification

DIMENSIONS, MM

d	25,000
D	62,000
B	38,100
L	108,000
A	30,000
J	83,000
A1	13,000
A2	18,000
N	12,000
U	40,200

WEIGHT, KG

	1,100
Bearing	UC X05
Housing	F X05

MANUFACTURER

[ASAHI](#)

INTERCHANGE

ABC	UCF X05
SLB	UCFX05
FYH	UCFX05
NTN	UCFX 05 D1